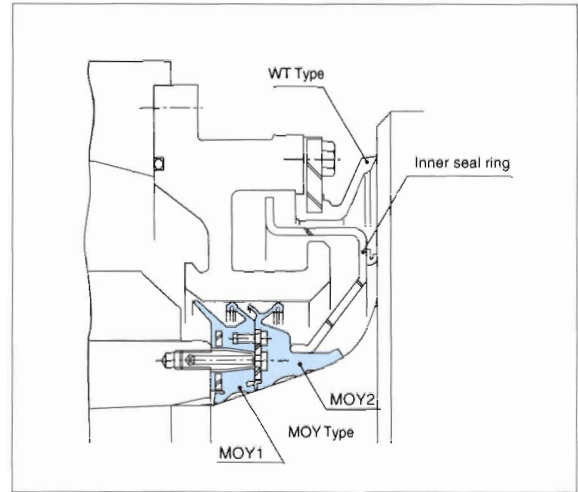
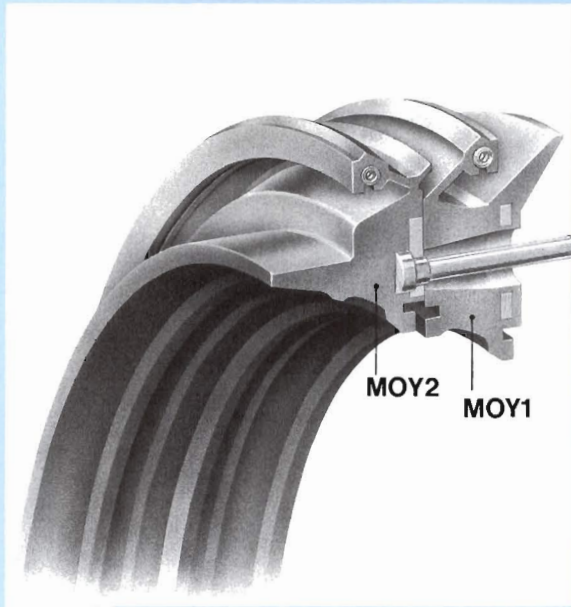


NOK General Oil Seals

# MOY Type (Meseta seal)

Nitrile rubber (NBR) and hydrogenated nitrile rubber (HNBR) oil seal



- When ordering, please indicate the NOK part number and the relevant dimensions.
- Check the Guide to Allowable Operating Conditions on pages E-10 and E-11 for relevant information on the seal selected before use.

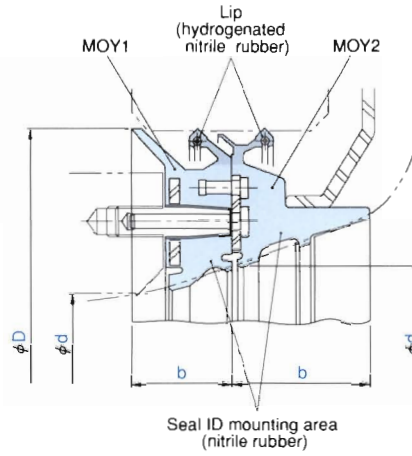
Lip Material	NOK G418(Seal ID mounting area A989)
--------------	--------------------------------------

# MOY Type

H

Material	Material Hydrogenated Nitrile (HNBR)
	Nitrile (NBR)

● The sectional view on the right shows the typical profile of the seal type.



Shaft diameter $d$	Dimensions		Part Number	Seal Type	Bearing size
	Outside diameter $D$	Width $b$			
761	884	38.5	BN 8916 F1	MOY1	33" × 28"
774	884	46.5	BN 8917 F1	MOY2	
840	970	53	BN 9223 E2	MOY1	36" × 30"
851	970	47	BN 9224 E1	MOY2	
919	1040	44.5	BN 9517 E1	MOY1	39" × 28"
933	1040	41.5	BN 9518 E2	MOY2	
988	1120	55	BN 9528 F1	MOY1	42" × 30"
1004	1120	50	BN 9838 E3	MOY2	
1063	1200	43.5	BN 9833 E3	MOY1	45" × 34"
1082	1200	60.5	BN 9832 E2	MOY2	