

NOK General Oil Seals

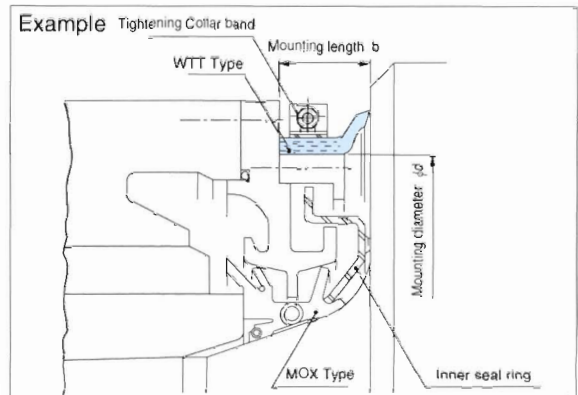
WT Type, WTT Type

Nitrile rubber (NBR) oil seal



■ Handling of WTT Type

- The WTT Type oil seal is secured with a tightening collar band at its cut point. Any mounting diameter can be selected.
- The maximum mounting diameter is 1500 mm, and seven mounting lengths are available (35, 40, 45, 50, 55, 70, 75 mm). (For your reference, the product sizes currently available are shown on page H-94.)
- The WTT Type oil seal cannot completely prevent the entry of rolling fluid or cooling water. Provide a drain at the bottom.
- Position the bolt for the collar band at a 45-degree angle from the drain.



The WT Type oil seal cannot completely prevent the entry of rolling fluid or cooling water. Provide a drain at the base.

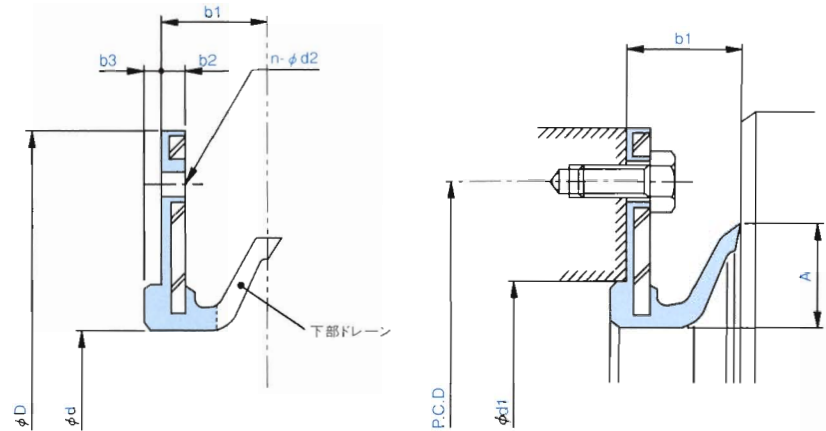
- When ordering, please indicate the NOK part number and the relevant dimensions.
- Check the Guide to Allowable Operating Conditions on pages E-10 and E-11 for relevant information on the seal selected before use.

Lip Material	NOK A103
--------------	----------

WT Type

Material Nitrile (NBR)

● The sectional view on the right shows the typical profile of the seal type.



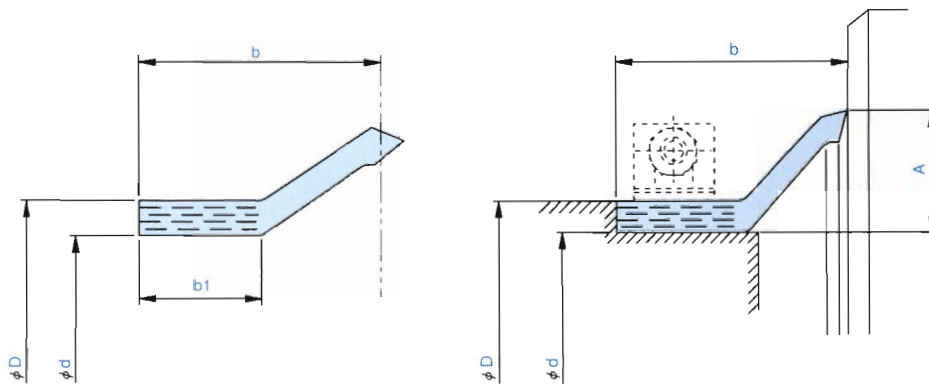
※ Consult us for the positional relationship between the bolt hole and drain.

Inside diameter d	Outside diameter D	Dimensions					Part Number	Mounting bolt pattern diameter		
		b ₁	b ₂	b ₃	n (Number of places)	d ₂		P.C.D	φd ₁	A
190	244	19	5	0	8	8	AZ 4992 E0	225	—	18
227	280	35	5	0	8	9	AZ 9301 E0	260	—	18
320	380	30	8	0	6	9.5	AZ 9375 E1	355	—	19
325	385	30	8	0	6	9.5	BZ 8039 E0	360	—	20
330	400	35	5	0	8	9.5	AZ 9497 E4	380	—	22
340	435	30	5	0	8	9	AZ 9378 E1	415	—	32
350	414	35	5	0	8	10	AZ 9091 F0	395	—	22
380	455	35	8	0	8	12	AZ 9594 E0	430	—	22
420	480	26	5	0	8	10	AZ 9401 E0	462	—	18
430	490	26	8	0	12	10	AZ 5999 E0	472	—	20
435	489	25.4	5	0	8	10	AZ 6011 E0	470	—	21
440	510	26	8	0	12	9	AZ 6030 E0	490	—	18
440	514	35	5	0	8	12	AZ 6031 F0	490	—	22
440	530	50	10	0	8	14	AZ 6033 E0	500	—	36
458	540	26	8	0	12	11.5	AZ 6071 E0	510	—	19
580	650	51	10	0	12	12	BZ 8338 E0	626	—	40
650	760	45	12	0	12	12	AZ 6317 E0	730	—	39
680	778	45	12	0	12	14	AZ 9043 E0	740	—	25
705	830	76.2	11	0	8	18	AZ 6362 E0	790	—	65
710	810	46	10	0	8	14	AZ 6373 E0	767	—	27
740	840	56.2	10	0	16	18	AZ 6400 E0	805	—	43
760	842	35	8	0	12	11	AZ 9698 E0	812	—	24
760	898	40	10	0	10	12	AZ 6424 E0	866	—	38
870	975	40	10	0	12	15	AZ 9608 E0	940	—	27
932	1042	24	5	3	6	12	BZ 9506 E0	1015	970	23
962	1035	46.8	6	3	24	12	BZ 8919 E0	1010	983	44
1000	1108	38	10	0	12	14	AZ 6579 E0	1065	—	33
1052	1134	37	9	5	24	12	BZ 9839 E0	1115	1078	42
1120	1230	25	5	5	16	10	AZ 9704 E2	1200	1169	27
1148	1240	40	5	5	22	14	BZ 9826 E0	1215	1180	49
1310	1400	50	9	5	24	14	AZ 9737 E0	1370	1344	39
1704	1795	62	12	5	18	11	AZ 9087 E0	1770	1725	37

WTT Type

Material Nitrile (NBR)

● The sectional view on the right shows the typical profile of the seal type.



Dimensions					Part Number
Inside diameter	Outside diameter	Width		A	
d	D	b	b ₁	A	
400	416	35	21	26	BZ 8075 E0
440	456	35	21	26	AZ 6019 E0
450	466	35	21	26	BZ 8083 E0
450	466	40	26	24	BZ 8347 E0
460	476	40	26	24	BZ 8348 E0
520	536	35	21	26	AZ 9029 E0
535	551	35	21	26	AZ 9291 E1
545	561	35	21	26	AZ 9567 E1
546	562	35	21	26	BZ 8383 E0
550	566	35	21	26	BZ 8349 E0
590	606	50	36	24	AZ 9527 E0
595	611	35	21	26	AZ 6260 E0
600	616	40	26	24	BZ 8372 E0
605	621	35	21	26	BZ 8352 E0
625	641	35	21	26	AZ 6290 E0
655	671	40	26	24	BZ 8317 E0
700	716	45	31	24	AZ 9064 E0
715	731	40	26	24	AZ 6382 E0
720	736	35	21	26	AZ 9646 E0
770	786	50	36	24	AZ 6433 E0
780	796	45	31	24	AZ 9665 E1
790	806	70	56	24	AZ 9678 E0
800	816	40	26	24	BZ 9206 E0
835	856	75	40	40	AZ 9693 E0
850	866	45	31	24	AZ 9622 E0
875	891	40	26	24	AZ 6511 E0
900	916	50	36	24	AZ 9041 E0
940	956	50	36	24	AZ 6543 E0
962	978	35	21	26	AZ 9619 E0
990	1006	40	26	24	AZ 6570 E1
1020	1036	40	26	24	AZ 9794 E0
1030	1046	35	21	26	BZ 9818 E0
1060	1076	40	26	24	AZ 6601 E0
1070	1086	50	26	24	AZ 9733 E0
1090	1106	45	31	24	AZ 6615 E0

Dimensions					Part Number
Inside diameter	Outside diameter	Width		A	
d	D	b	b ₁	A	
1100	1116	45	31	24	AZ 9785 E0
1120	1136	45	31	24	AZ 6627 E0
1145	1161	55	41	24	AZ 6635 E0
1165	1181	50	36	24	AZ 6639 E0
1180	1196	50	36	24	AZ 6642 E0
1210	1226	50	36	24	AZ 6649 E0
1294	1315	75	40	40	BZ 9803 E0
1524	1545	75	40	40	AZ 6683 E0