

# HB Y TYPE

## BUFFER RING

IRON RUBBER (PUR) +  
POLYAMIDE RESIN (PA)



E  
DIMENSION  
H  
B  
Y

- Please designate NOK Part number and type & size on your order.

(Example) · Type Dimensions    HB Y      40   55.5   6

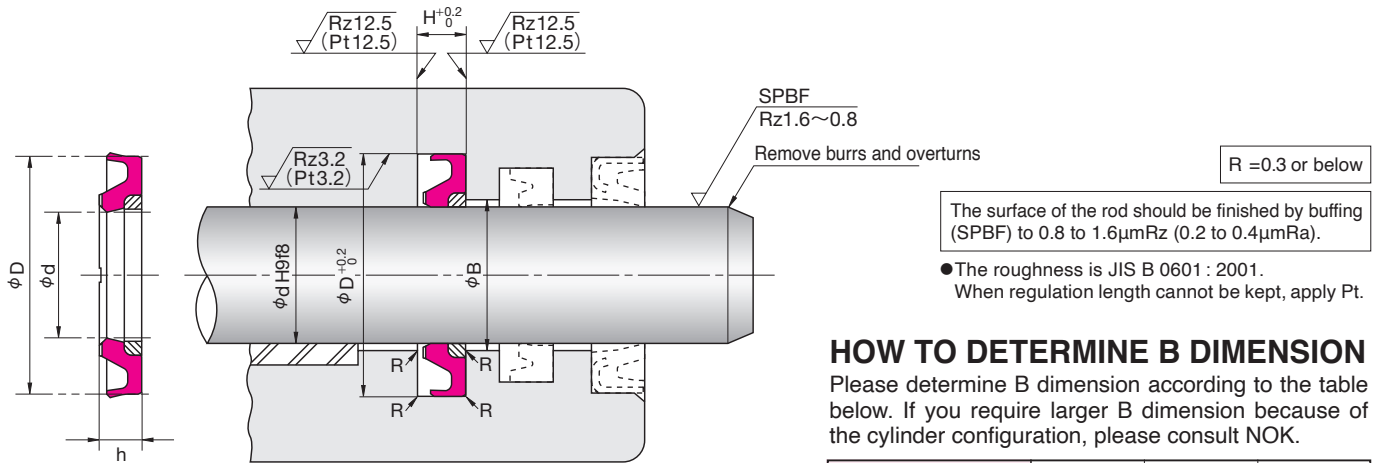
└─ Type Sign                    └─ Nominal Size of Dust Seal  
described in order of  
inner diameter(d), outer diameter(D), and height(h)

· Part Number                    FQ0253F3

- Please check the application range on pages 22 and 23 before selecting the type.

<b>Material</b>	Standard : NOK U801 Heat resistant type : NOK U641                    +    NOK 12NM (d = φ40 ~ φ160) Super heat resistant type : NOK UH05                    +    NOK 80NP (d = φ170 ~ φ210)
-----------------	--

# HB Y TYPE BUFFER RING



## HOW TO DETERMINE B DIMENSION

Please determine B dimension according to the table below. If you require larger B dimension because of the cylinder configuration, please consult NOK.

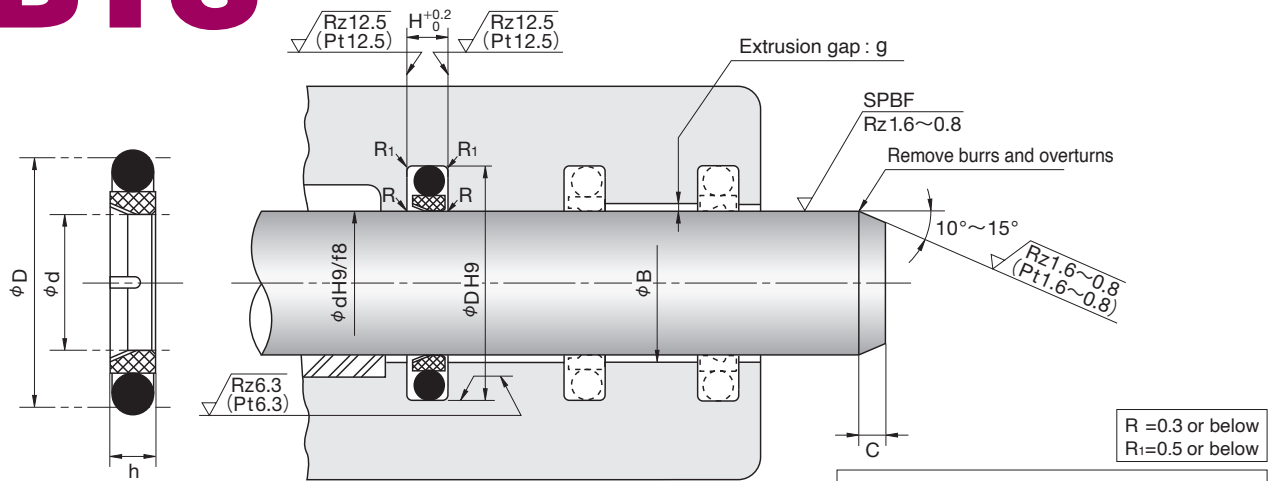
Maximum Service Pressure	35MPa	42MPa	50MPa
B Dimension	d + 0.8	d + 0.4	d + 0.25

Nominal Size of Buffer Ring, and Housing dimensions				NOK Part Number		
d	D	h	H	Standard (U801)	Heat resistant (U641)	Super heat resistant (UH05)
40	55.5	6	6.3	FQ0253F3	FQ0253F4	
45	60.5	6	6.3	FQ0254F5	FQ0254F6	
50	65.5	6	6.3	FQ0255F4	FQ0255F3	FQ0255F7
55	70.5	6	6.3	FQ0256F4	FQ0256F5	FQ0256F7
60	75.5	6	6.3	FQ0257F4	FQ0257F5	FQ0257F6
65	80.5	6	6.3	FQ0258F4	FQ0258F3	FQ0258F7
70	85.5	6	6.3	FQ0244F5	FQ0244F4	FQ0244F8
75	90.5	6	6.3	FQ0245F5	FQ0245F4	FQ0245F8
80	95.5	6	6.3	FQ0246F6	FQ0246F5	FQ0246F9
85	100.5	6	6.3	FQ0259F5	FQ0259F6	FQ1226F0
90	105.5	6	6.3	FQ0260F6	FQ0260F5	FQ0260F9
95	110.5	6	6.3	FQ0575F6	FQ0575F4	FQ1225F0
100	115.5	6	6.3	FQ0261F7	FQ0261F5	FQ1214F1
105	120.5	6	6.3	FQ0629F6	FQ0629F5	FQ1244F0
110	125.5	6	6.3	FQ0262F6	FQ0262F4	FQ1220F0
115	130.5	6	6.3	FQ0868F5	FQ0868F4	FQ0868F7
120	135.5	6	6.3	FQ0263F4	FQ0263F5	FQ0263F8
125	140.5	6	6.3	FQ0842F3	FQ0842F4	FQ0842F7
130	145.5	6	6.3	FQ0264F5	FQ0264F4	FQ0264F8
132	147.5	6	6.3	FQ0784F2	FQ0784F3	
135	150.5	6	6.3	FQ0904F2	FQ0904F3	
140	155.5	6	6.3	FQ0265F5	FQ0265F4	FQ0265F6
150	165.5	6	6.3	FQ0871F3	FQ0871F4	FQ0871F6
160	175.5	6	6.3	FQ0433F4	FQ0433F5	FQ0433F6
170	185.5	6	6.3	FQ0603F0	FQ0603F1	FQ00603-F6A
180	195.5	6	6.3	FQ0451F0	FQ0451F1	FQ0451F3
190	205.5	6	6.3	FQ0646F0	FQ0646F1	
200	221	7.7	8	FQ0830F0	FQ0830F2	FQ0830F3
210	231	7.7	8	FQ0824F0	FQ0824F2	FQ0824F3





# HBTS TYPE BUFFER RING



The surface of the rod should be finished by buffing (SPBF) to 0.8 to 1.6 $\mu$ mRz (0.2 to 0.4 $\mu$ mRa).

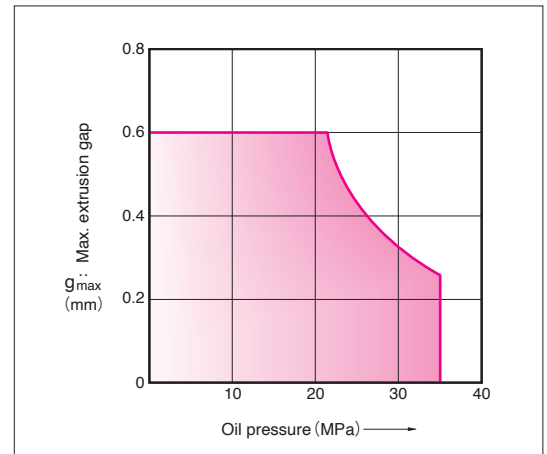
- The roughness is JIS B 0601 : 2001. When regulation length cannot be kept, apply Pt.

Nominal Number	Nominal Size of Buffer Ring, and Housing dimensions				NOK Part Number
	d	D	h	H	
HBTS 4	4	8.9	2	2.2	● GS5000V6
5	5	9.9	2	2.2	● GS5001V6
6	6	10.9	2	2.2	● GS5002V6
7	7	11.9	2	2.2	● GS5003V6
8	8	15.3	2.9	3.2	● GS5005V6
10	10	17.3	2.9	3.2	● GS5007V6
12	12	19.3	2.9	3.2	● GS5009V6
14	14	21.3	2.9	3.2	● GS5011V6
15	15	22.3	2.9	3.2	● GS5013V6
16	16	23.3	2.9	3.2	● GS5015V6
18	18	25.3	2.9	3.2	● GS5017V6
20	20	30.7	3.9	4.2	● GS5019V6
22	22	32.7	3.9	4.2	● GS5021V6
22.4	22.4	33.1	3.9	4.2	● GS5023V6
25	25	35.7	3.9	4.2	● GS5025V6
28	28	38.7	3.9	4.2	● GS5027V6
30	30	40.7	3.9	4.2	● GS5029V6
32	32	42.7	3.9	4.2	GS5031V6
35	35	45.7	3.9	4.2	GS5033V6
35.5	35.5	46.2	3.9	4.2	GS5035V6
36	36	46.7	3.9	4.2	GS5037V6
38	38	53.1	5.9	6.3	GS5039V6
40	40	55.1	5.9	6.3	GS5041V6
42	42	57.1	5.9	6.3	GS5043V6
45	45	60.1	5.9	6.3	GS5045V6
50	50	65.1	5.9	6.3	GS5047V6
56	56	71.1	5.9	6.3	GS5049V6
60	60	75.1	5.9	6.3	GS5051V6
63	63	78.1	5.9	6.3	GS5052V6
65	65	80.1	5.9	6.3	GS5053V6
67	67	82.1	5.9	6.3	GS5054V6
70	70	85.1	5.9	6.3	GS5055V6
71	71	86.1	5.9	6.3	GS5056V6
75	75	90.1	5.9	6.3	GS5057V6
80	80	95.1	5.9	6.3	GS5058V6
85	85	100.1	5.9	6.3	GS5059V6
90	90	105.1	5.9	6.3	GS5060V6
95	95	110.1	5.9	6.3	GS5061V6

Remark) When using the packing with ●, provide separate grooves.

## HOW TO DETERMINE B DIMENSION

To determine B dimension, please refer to the graph in the right for the maximum extrusion gap (one side) considering the eccentricity of operating condition of the piston.



Nominal Number	Nominal Size of Buffer Ring, and Housing dimensions				NOK Part Number
	d	D	h	H	
HBTS 100	100	115.1	5.9	6.3	GS5062V6
105	105	120.1	5.9	6.3	GS5063V6
110	110	125.1	5.9	6.3	GS5064V6
112	112	127.1	5.9	6.3	GS5065V6
115	115	130.1	5.9	6.3	GS5066V6
120	120	135.1	5.9	6.3	GS5067V6
125	125	140.1	5.9	6.3	GS5068V6
130	130	145.1	5.9	6.3	GS5069V6
135	135	150.1	5.9	6.3	GS5070V6
140	140	155.1	5.9	6.3	GS5071V6
150	150	165.1	5.9	6.3	GS5072V6
160	160	175.1	5.9	6.3	GS5073V6
170	170	185.1	5.9	6.3	GS5074V6
180	180	195.1	5.9	6.3	GS5075V6