

KZT TYPE

CONTAMI SEALS RAREFLON (PTFE)



E
DIMENSION
K
Z
T

- Please designate NOK Part number and type & size on your order.

(Example) · Type Dimensions

KZT

14

20

5

Type Sign

Nominal Size of Contami Seal
described in order of
inner diameter(d), outer diameter(D), and height(h)

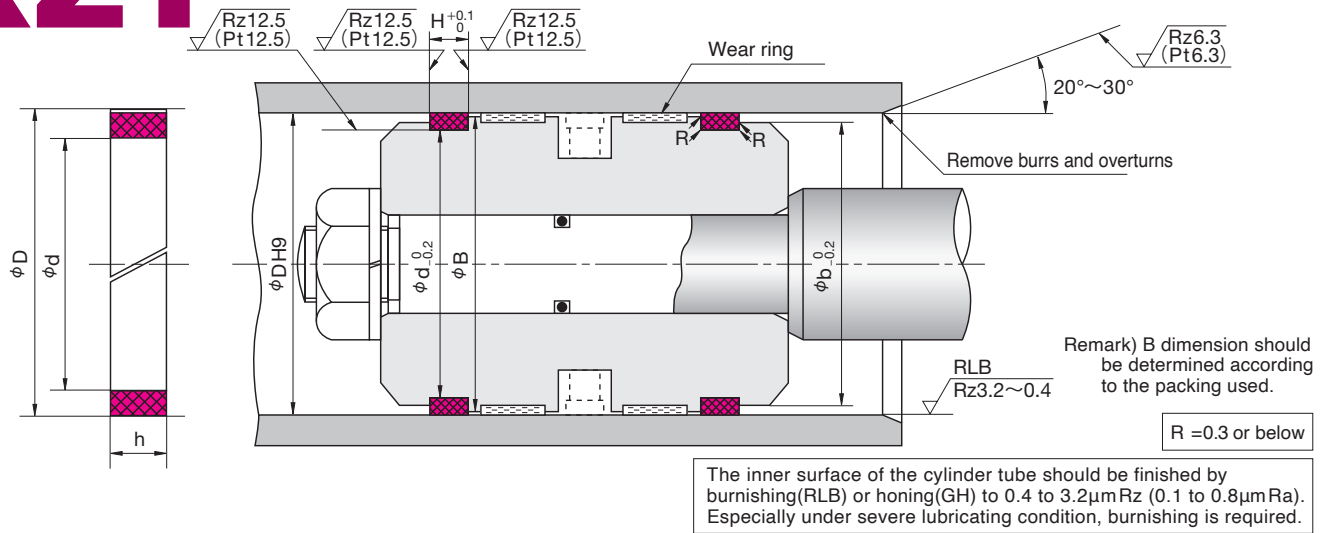
· Part Number

GZ3000V0

- Please check the application range on pages 22 and 23 before selecting the type.

Material	NOK 05ZF
-----------------	----------

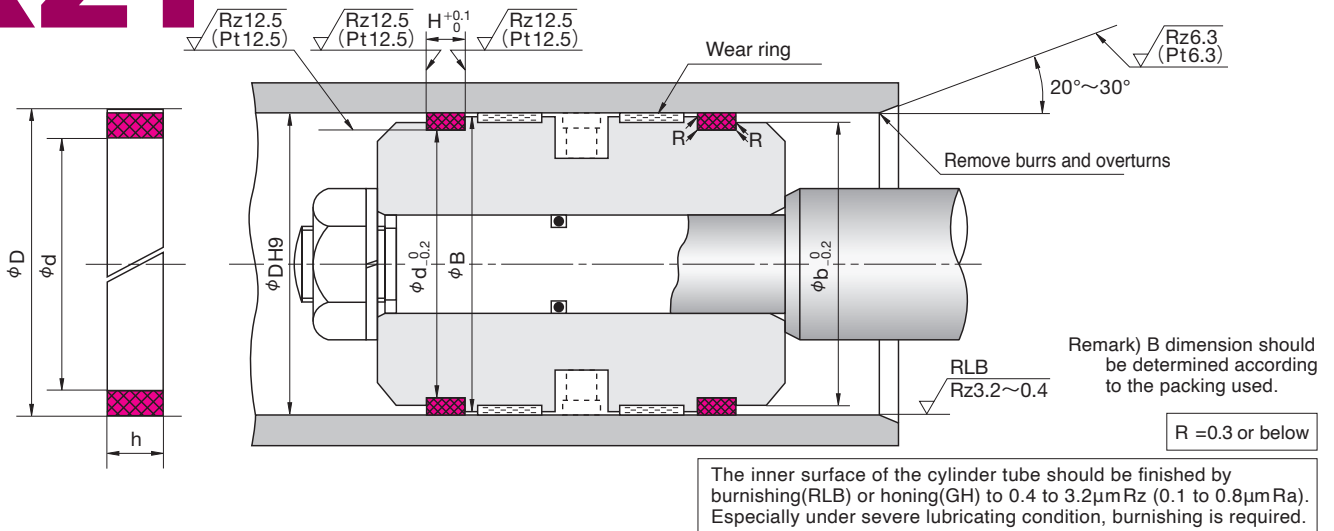
KZT TYPE CONTAMI SEALS



Nominal Number	Nominal Size of Contami Seal, and Housing dimensions					NOK Part Number
	d	D	h	H	φb	
KZT 20	14	20	5	5.2	18	GZ3000V0
25	19	25	5	5.2	23	GZ3001V0
30	24	30	5	5.2	28	GZ3002V0
31.5	25.5	31.5	5	5.2	29.5	GZ3003V0
32	26	32	5	5.2	30	GZ3004V0
35	29	35	5	5.2	33	GZ3005V0
35.5	29.5	35.5	5	5.2	33.5	GZ3006V0
40	34	40	5	5.2	38	GZ3007V0
45	39	45	5	5.2	43	GZ3008V0
50	44	50	5	5.2	48	GZ3009V0
53	47	53	5	5.2	51	GZ3010V0
55	49	55	5	5.2	53	GZ3011V0
56	50	56	5	5.2	54	GZ3012V0
60	54	60	5	5.2	58	GZ3013V0
63	55	63	6	6.2	61	GZ3014V0
65	57	65	6	6.2	63	GZ3015V0
70	62	70	6	6.2	68	GZ3016V0
71	63	71	6	6.2	69	GZ3017V0
75	67	75	6	6.2	73	GZ3018V0
80	72	80	6	6.2	78	GZ3019V0
85	77	85	6	6.2	83	GZ3020V0
90	82	90	6	6.2	88	GZ3021V0
95	87	95	6	6.2	93	GZ3022V0
100	92	100	6	6.2	98	GZ3023V0
105	97	105	6	6.2	103	GZ3024V0
110	102	110	6	6.2	108	GZ3025V0
112	104	112	6	6.2	110	GZ3026V0
115	107	115	6	6.2	113	GZ3027V0
120	112	120	6	6.2	118	GZ3028V0
125	117	125	6	6.2	123	GZ3029V0
130	122	130	6	6.2	128	GZ3030V0
135	127	135	6	6.2	133	GZ3031V0
140	132	140	6	6.2	138	GZ3032V0
150	142	150	6	6.2	148	GZ3033V0
160	152	160	6	6.2	158	GZ3034V0

E DIMENSION
KZT

KZT TYPE CONTAMI SEALS



Nominal Number	Nominal Size of Contami Seal, and Housing dimensions					NOK Part Number
	d	D	h	H	ϕb	
KZT 170	162	170	8	8.2	168	GZ3035V0
180	172	180	8	8.2	178	GZ3036V0
190	182	190	8	8.2	188	GZ3037V0
200	192	200	8	8.2	198	GZ3038V0
210	202	210	8	8.2	208	GZ3039V0
220	212	220	8	8.2	218	GZ3040V0
224	216	224	8	8.2	222	GZ3041V0
230	222	230	8	8.2	228	GZ3042V0
240	232	240	8	8.2	238	GZ3043V0
250	242	250	8	8.2	248	GZ3044V0
260	252	260	8	8.2	258	GZ3045V0
270	262	270	8	8.2	268	GZ3046V0
280	272	280	8	8.2	278	GZ3047V0
290	282	290	8	8.2	288	GZ3048V0
300	292	300	8	8.2	298	GZ3049V0
310	302	310	8	8.2	308	GZ3050V0
320	312	320	8	8.2	318	GZ3051V0
340	332	340	8	8.2	338	GZ3052V0
350	342	350	8	8.2	348	GZ3053V0
360	352	360	8	8.2	358	GZ3054V0

E DIMENSION KZT