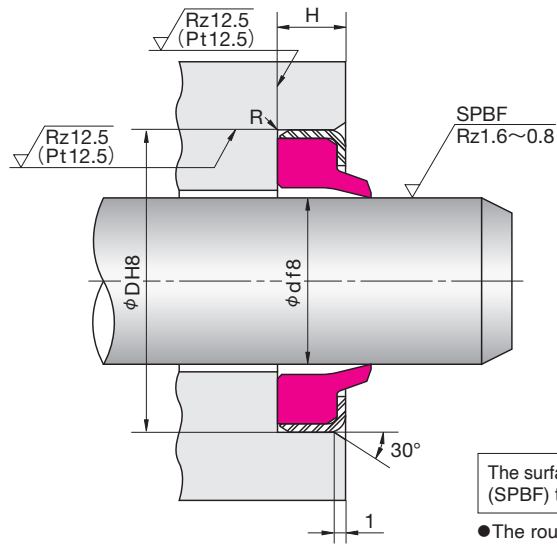
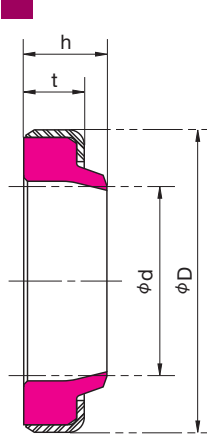


DKI TYPE DUST SEALS FOR RECIPROCAL MOVEMENT



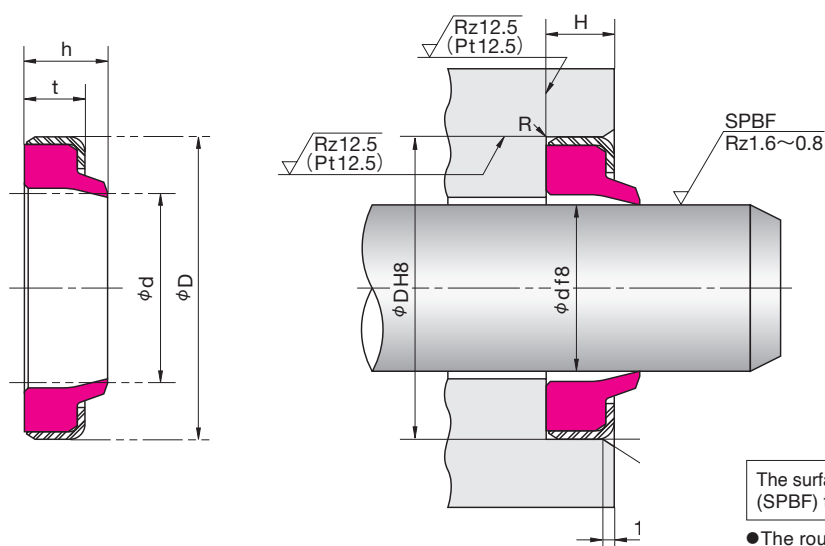
R = 0.3 or below

The surface of the rod should be finished by buffing (SPBF) to 0.8 to 1.6μmRz (0.2 to 0.4μmRa).

● The roughness is JIS B 0601 : 2001.
When regulation length cannot be kept, apply Pt.

Nominal Size of Dust Seal, and Housing dimensions					NOK Part Number
d	D	t	h	H ^{+0.5 +0.3}	
6.3	16	5	7	5	FD0064A0
7.1	17	5	7	5	FD0095A0
8	18	5	7	5	FD0142A0
9	19	5	7	5	FD0199A0
10	20	5	7	5	FD0258A0
11.2	21	5	7	5	FD0332A0
12.5	23	5	7	5	FD0412A0
14	24	5	7	5	FD0513A0
15	25	5	7	5	FD0586A0
16	26	5	7	5	FD0677A0
18	30	6	9	6	FD0815A0
20	32	6	9	6	FD0995A0
22.4	34.4	6	9	6	FD1203A0
25	37	6	9	6	FD1301A0
27	39	6	9	6	FD1503A0
28	40	6	9	6	FD1536A0
30	42	6	9	6	FD1664A0
31.5	44	7	10	7	FD1803A0
32	44	7	10	7	FD1870A0
35	47	7	10	7	FD2041A0
35.5	47.5	7	10	7	FD2149A0
38	50	7	10	7	FD2217A0
40	52	7	10	7	FD2342A0
45	57	7	10	7	FD2633A0
47	59	7	10	7	FD2729A0
50	62	7	10	7	FD2831A0
Nominal Size of Dust Seal, and Housing dimensions					NOK Part Number
d	D	t	h	H ^{+0.6 +0.4}	
53	67	8	11	8	FD2985A0
55	69	8	11	8	FD3033A0
56	70	8	11	8	FD3089A0
60	74	8	11	8	FD3187A0
63	77	8	11	8	FD3313A0
64	78	8	11	8	FD3366A0
65	79	8	11	8	FD3381A0
67	81	8	11	8	FD3447A0
70	84	8	11	8	FD3493A0
71	85	8	11	8	FD3546A0
75	89	8	11	8	FD3596A0
80	94	8	11	8	FD3720A0
85	99	8	11	8	FD3828A0
90	104	8	11	8	FD3913A0
92	106	8	11	8	FD3957A0
95	109	8	11	8	FD3976A0
100	114	8	11	8	FD4046A0

E DIMENSION
DKI



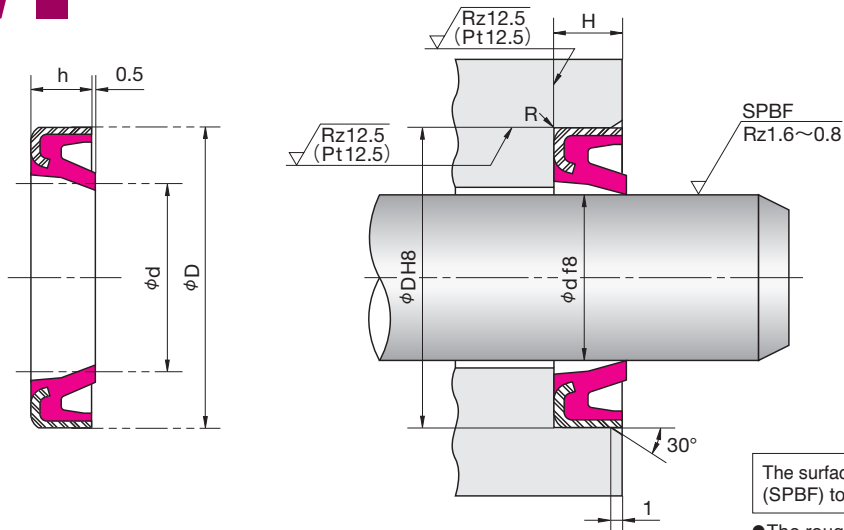
R = 0.3 or below

The surface of the rod should be finished by buffing (SPBF) to 0.8 to 1.6μmRz (0.2 to 0.4μmRa).

● The roughness is JIS B 0601 : 2001.
When regulation length cannot be kept, apply Pt.

Nominal Size of Dust Seal, and Housing dimensions					NOK Part Number
d	D	t	h	H ^{+0.6} _{+0.4}	
105	121	9	12	9	FD4142A0
106	122	9	12	9	FD4168A0
108	125	9	12	9	FD4187E0
110	126	9	12	9	FD4196A0
112	128	9	12	9	FD4232A0
115	131	9	12	9	FD4272E0
118	134	9	12	9	FD4317A0
120	136	9	12	9	FD4326A0
125	141	9	12	9	FD4393A0
130	146	9	12	9	FD4438A0
132	148	9	12	9	FD4476A0
135	155	10	14	10	FD4492A0
140	160	10	14	10	FD4533A0
145	165	10	14	10	FD4578A0
150	170	10	14	10	FD4615A0
155	175	10	14	10	FD4663E0
160	180	10	14	10	FD4704A0
165	185	10	14	10	FD4733A0
170	190	10	14	10	FD4785A0
175	195	10	14	10	FD4839A0
Nominal Size of Dust Seal, and Housing dimensions					NOK Part Number
d	D	t	h	H ^{+0.7} _{+0.5}	
180	205	12	17	12	FD4890A0
185	210	12	17	12	FD4941E0
190	215	12	17	12	FD4969A0
200	225	12	17	12	FD5048A0
210	235	12	17	12	FD5129E0
212	237	12	17	12	FD5151A0
220	245	12	17	12	FD5200A0
224	249	12	17	12	FD5237A0
225	250	12	17	12	FD5245F0
230	255	12	17	12	FD5277A0
236	261	12	17	12	FD5326A0
240	265	12	17	12	FD5336A0
245	270	12	17	12	FD5379E0
250	275	12	17	12	FD5396A0
260	285	12	17	12	FD5451E0
265	290	12	17	12	FD5480A0
280	310	16	22	16	FD5556A0
290	320	16	22	16	FD5584E0
300	330	16	22	16	FD5622A0

DWI TYPE DUST SEALS FOR RECIPROCAL MOVEMENT



Nominal Size of Dust Seal, and Housing dimensions				NOK Part Number
d	D	h	$H^{+0.5}_{+0.3}$	
40	52	7	7	FD2342G0
45	57	7	7	FD2633H0
50	62	7	7	FD2831F0
Nominal Size of Dust Seal, and Housing dimensions				NOK Part Number
d	D	h	$H^{+0.6}_{+0.4}$	
55	69	8	8	FD3033F0
60	74	8	8	FD3187H0
61	74	8	8	FD6782E0
63	77	8	8	FD3313E0
65	79	8	8	FD3381I0
70	84	8	8	FD3493I0
75	89	8	8	FD3596F0
80	94	8	8	FD3720G0
85	99	8	8	FD3828H0
90	104	8	8	FD3913F0
95	109	8	8	FD3976L0
100	114	8	8	FD4046F0
105	121	9	9	FD4142I0
110	126	9	9	FD4196F0
120	136	9	9	FD4326F0
130	146	9	9	FD4438G0
140	160	10	10	FD4533G0

DWIR_{TYPE}

DUST SEALS FOR
RECIPROCAL MOVEMENT
IRON RUBBER (PUR)



E
DIMENSION
D
W
I
R

- Please designate NOK Part number and type & size on your order.

(Example) · Type Dimensions DWIR 25 37 6 6.9

└── Type Sign

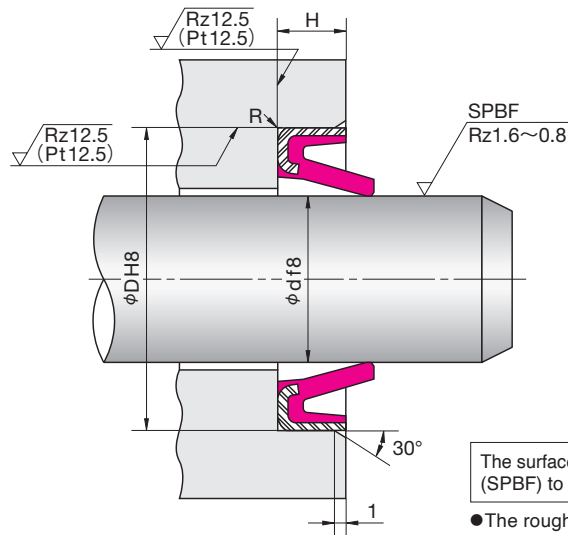
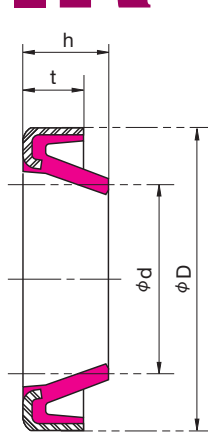
└── Nominal Size of Dust Seal
described in order of
inner diameter(d), outer diameter(D), thickness(t), and height(h)

· Part Number FD1301G0

- Please check the application range on pages 20 and 21 before selecting the type.

Material	NOK U801 + Metal case (SPCC)
-----------------	------------------------------

DWIR TYPE DUST SEALS FOR RECIPROCAL MOVEMENT



Nominal Size of Dust Seal, and Housing dimensions					NOK Part Number
d	D	t	h	H _{+0.5/+0.3}	
25	37	6	6.9	6	FD1301G0
30	42	6	6.9	6	FD1664I0
35	47	7	7.9	7	FD2041J0
40	52	7	10	7	FD2342H0
45	57	7	10	7	FD2633J0
Nominal Size of Dust Seal, and Housing dimensions					NOK Part Number
d	D	t	h	H _{+0.6/+0.4}	
55	69	8	11.3	8	FD3033I0
60	74	8	11.3	8	FD3187G0
65	79	8	11.3	8	FD3381G0
70	84	8	11.3	8	FD3493K0
75	89	8	11.3	8	FD3596I0
80	94	8	11.3	8	FD3720K0
85	99	8	11.3	8	FD3828M0
90	104	8	11.3	8	FD3913G0
95	109	8	11.3	8	FD3976K0
100	114	8	11.3	8	FD4046G0
105	121	9	12.3	9	FD4142H0
110	126	9	12.3	9	FD4196G0
120	136	9	12.3	9	FD4326G0
130	146	9	12.3	9	FD4438H0
140	160	10	13.3	10	FD4533H0

DKBI_{TYPE}

DUST SEALS FOR
RECIPROCAL MOVEMENT
IRON RUBBER (PUR)



E
DIMENSION
DKBI

- Please designate NOK Part number and type & size on your order.

(Example) · Type Dimensions

DKBI 20 32 6 9

Type Sign

Nominal Size of Dust Seal
described in order of
inner diameter(d), outer diameter(D), thickness(t), and height(h)

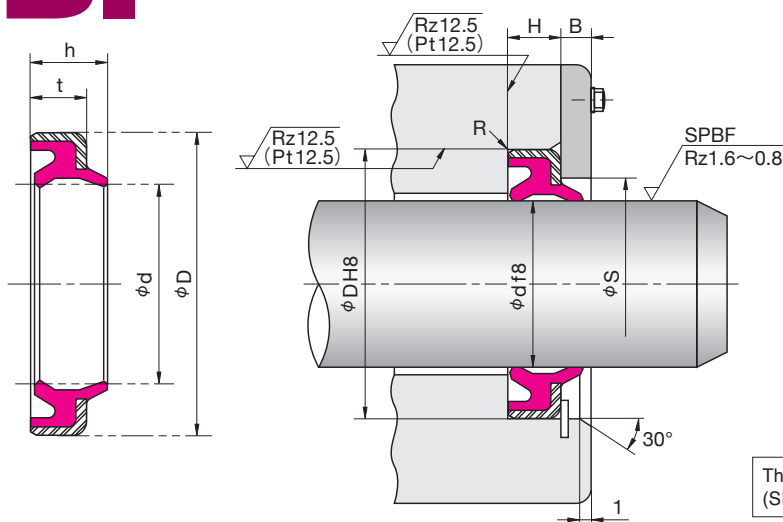
· Part Number

FD0995F0

- Please check the application range on pages 20 and 21 before selecting the type.

Material	Standard : NOK U801 Heat resistant type : NOK U641 + Metal case (SPCC)
-----------------	---

DKBI TYPE DUST SEALS FOR RECIPROCAL MOVEMENT



Pressure plate system

Reference

Circlip system

R = 0.3 or below

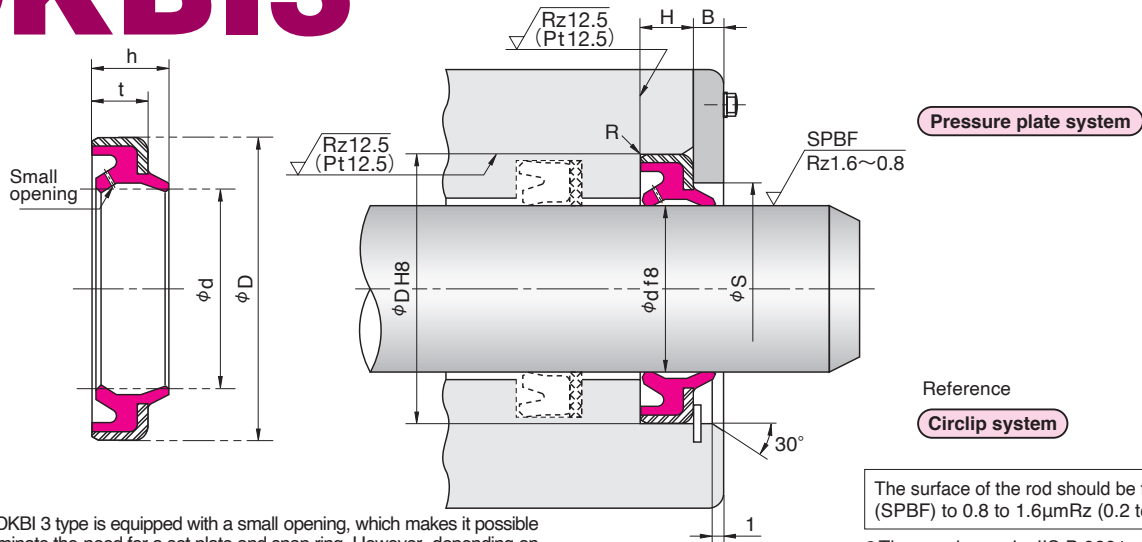
The surface of the rod should be finished by buffing (SPBF) to 0.8 to 1.6μmRz (0.2 to 0.4μmRa).

● The roughness is JIS B 0601 : 2001.
When regulation length cannot be kept, apply Pt.

Nominal Size of Dust Seal, and Housing dimensions							NOK Part Number	
d	D	t	h	H ^{+0.5} _{+0.3}	φS	B	Standard (U801)	Heat resistant (U641)
20	32	6	9	6	27	4	FD0995F0	FD0995F4
25	37	6	9	6	32	4	FD1301E0	FD1301E3
30	42	6	9	6	37	4	FD1664E0	FD1664E3
32	44	7	10	7	39	4	FD1870E0	FD1870E3
35	47	7	10	7	42	4	FD2041E1	FD2041E4
40	52	7	10	7	47	4	FD2342F0	FD2342F3
45	57	7	10	7	52	4	FD2633G0	FD2633G3
50	62	7	10	7	57	4	FD2831E0	FD2831E3
Nominal Size of Dust Seal, and Housing dimensions							NOK Part Number	
d	D	t	h	H ^{+0.6} _{+0.4}	φS	B	Standard (U801)	Heat resistant (U641)
55	69	8	11	8	62	4	FD3033E1	FD3033E5
60	74	8	11	8	67	4	FD3187E0	FD3187E3
65	79	8	11	8	72	4	FD3381E0	FD3381E3
70	84	8	11	8	77	4	FD3493E0	FD3493E2
75	89	8	11	8	82	4	FD3596E0	FD3596E1
80	94	8	12	8	87	4	FD3720E0	FD3720N0
85	99	8	11	8	92	4	FD3828G0	FD3828G1
90	104	8	11	8	97	4	FD3913E0	FD3913E1
95	109	8	11	8	102	4	FD3976E0	FD3976E3
100	114	8	11	8	107	4	FD4046E1	FD4046E2
105	121	9	12	9	113	5	FD6722E0	FD6722E1
110	126	9	12	9	118	5	FD4196E0	FD4196E3
115	131	9	12	9	123	5	FD4272I0	FD4272I1
120	136	9	12	9	128	5	FD4326E0	FD4326E1
130	146	9	12	9	138	5	FD4438F0	FD4438F3
140	160	10	14	10	150	5	FD4533E0	FD4533E3

E DIMENSION
DKBI

DKBI3^{TYPE} DUST SEALS FOR RECIPROCAL MOVEMENT



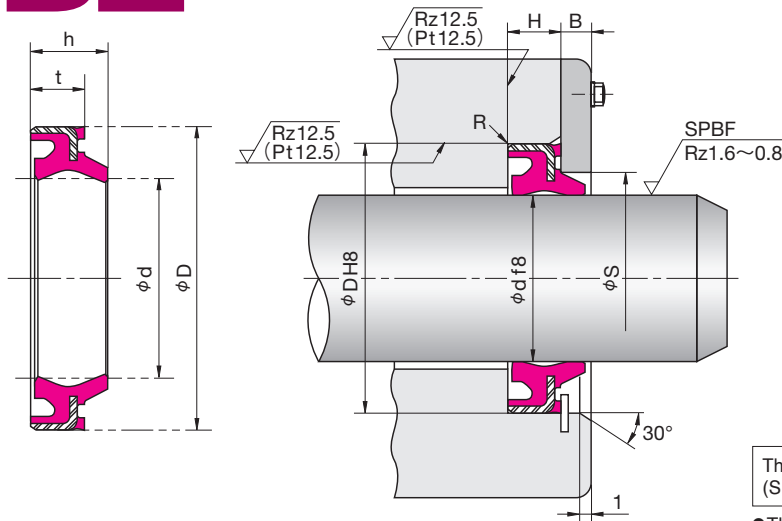
Note: The DKBI 3 type is equipped with a small opening, which makes it possible to eliminate the need for a set plate and snap ring. However, depending on the usage environment, external dust and internal contamination may block the small opening, preventing pressure from being released.

Reference
Circlip system R = 0.3 or below
 The surface of the rod should be finished by buffing (SPBF) to 0.8 to 1.6µmRz (0.2 to 0.4µmRa).
 ● The roughness is JIS B 0601 : 2001.
 When regulation length cannot be kept, apply Pt.

Nominal Number	Nominal Size of Packing, and Housing dimensions							NOK Part Number	
	d	D	t	h	H ^{+0.5} _{+0.3}	φS	B	Standard (U801)	Heat resistant (U641)
DKBI3 20	20	32	6	9	6	27	4	FD0995F1	FD0995F2
25	25	37	6	9	6	32	4	FD1301E1	FD1301E2
30	30	42	6	9	6	37	4	FD1664E1	FD1664E2
32	32	44	7	10	7	39	4	FD1870E1	FD1870E2
35	35	47	7	10	7	42	4	FD2041E2	FD2041E3
40	40	52	7	10	7	47	4	FD2342F1	FD2342F2
45	45	57	7	10	7	52	4	FD2633G1	FD2633G2
50	50	62	7	10	7	57	4	FD2831E1	FD2831E2
Nominal Number	Nominal Size of Packing, and Housing dimensions							NOK Part Number	
	d	D	t	h	H ^{+0.6} _{+0.4}	φS	B	Standard (U801)	Heat resistant (U641)
DKBI3 55	55	69	8	11	8	62	4	FD3033E4	FD3033E3
60	60	74	8	11	8	67	4	FD3187E1	FD3187E2
65	65	79	8	11	8	72	4	FD3381E2	FD3381E1
70	70	84	8	11	8	77	4	FD3493E5	FD3493E3
75	75	89	8	11	8	82	4	FD3596E3	FD3596E2
80	80	94	8	12	8	87	4	FD3720E2	FD3720E1
85	85	99	8	11	8	92	4	FD3828G2	FD3828G3
90	90	104	8	11	8	97	4	FD3913E2	FD3913E3
95	95	109	8	11	8	102	4	FD3976E1	FD3976E2
100	100	114	8	11	8	107	4	FD4046E4	FD4046E3
105	105	121	9	12	9	113	5	FD6722E2	FD6722E3
110	110	126	9	12	9	118	5	FD4196E1	FD4196E2
115	115	131	9	12	9	123	5	FD4272I3	FD4272I2
120	120	136	9	12	9	128	5	FD4326E2	FD4326E3
130	130	146	9	12	9	138	5	FD4438F1	FD4438F2
140	140	160	10	14	10	150	5	FD4533E1	FD4533E2

E DIMENSION DKBI-3

DKBZ TYPE DUST SEALS FOR RECIPROCAL MOVEMENT



Reference
Circlip system R = 0.3 or below

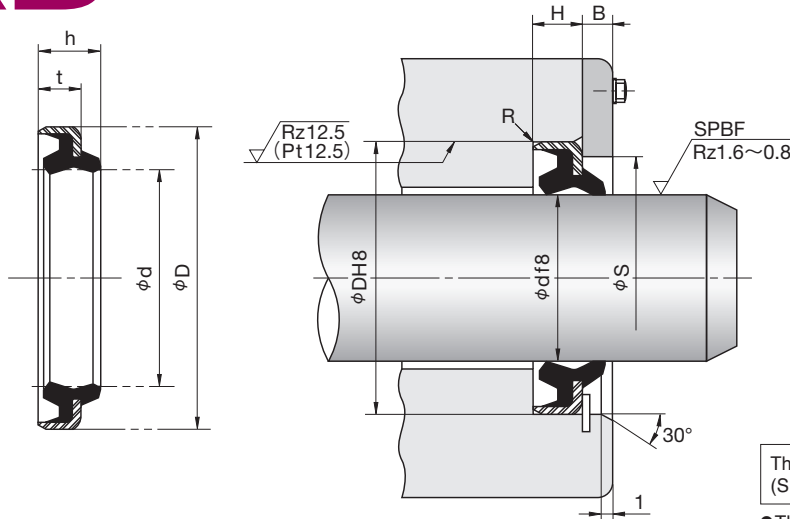
The surface of the rod should be finished by buffing (SPBF) to 0.8 to 1.6μmRz (0.2 to 0.4μmRa).

●The roughness is JIS B 0601 : 2001.
 When regulation length cannot be kept, apply Pt.

Nominal Number	Nominal Size of Packing, and Housing dimensions							NOK Part Number
	d	D	t	h	$H^{+0.5}_{+0.3}$	φS	B	
DKBZ 20	20	32	6	9	6	27	4	FD0995B0
25	25	37	6	9	6	32	4	FD1301B0
30	30	42	6	9	6	37	4	FD1664B0
35	35	47	7	10	7	42	4	FD2041B0
40	40	52	7	10	7	47	4	FD2342B0
45	45	57	7	10	7	52	4	FD2633B0
50	50	62	7	10	7	57	4	FD2831B0
Nominal Number	Nominal Size of Packing, and Housing dimensions							NOK Part Number
	d	D	t	h	$H^{+0.6}_{+0.4}$	φS	B	
DKBZ 55	55	69	8	11.5	8	62	4	FD3033B0
60	60	74	8	11.5	8	67	4	FD3187B0
65	65	79	8	11.5	8	72	4	FD3381B0
70	70	84	8	11.5	8	77	4	FD3493B0
75	75	89	8	11.5	8	82	4	FD3596B0
80	80	94	8	11.5	8	87	4	FD3720B0
85	85	99	8	11.5	8	92	4	FD3828B0
90	90	104	8	11.5	8	97	4	FD3913B0
95	95	109	8	11.5	8	102	4	FD3976B0
100	100	114	8	11.5	8	107	4	FD4046B0
105	105	121	9	13	9	113	5	FD6722B0
110	110	126	9	13	9	118	5	FD4196B0
115	115	131	9	13	9	123	5	FD4272B0
120	120	136	9	13	9	128	5	FD4326B0
130	130	146	9	13	9	138	5	FD4438B0
140	140	160	10	15	10	150	5	FD4533B0
160	160	180	10	15	10	170	5	FD4704B0
170	170	190	10	15	10	180	5	FD4785B0

E DIMENSION
DKBZ

DKB TYPE DUST SEALS FOR RECIPROCAL MOVEMENT



Pressure plate system

Reference

Circlip system

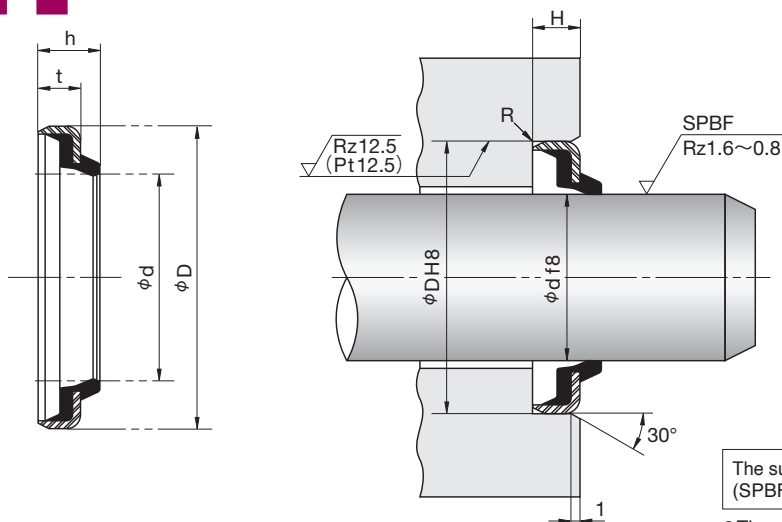
R = 0.3 or below

The surface of the rod should be finished by buffing (SPBF) to 0.8 to 1.6μmRz (0.2 to 0.4μmRa).

● The roughness is JIS B 0601 : 2001.
When regulation length cannot be kept, apply Pt.

Nominal Size of Dust Seal, and Housing dimensions							NOK
d	D	t	h	H _{10.3} ^{+0.3}	φS	B	Part Number
14	24	5	7	5	19	4	AR0513F5
16	26	5	7	5	21	4	AR0677E5
18	30	6	9	6	25	4	AR0815F5
20	32	6	9	6	27	4	AR0995E1
22	34	6	9	6	29	4	AR1121F5
22.4	34.4	6	9	6	29	4	AR1203F5
25	37	6	9	6	32	4	AR1301H5
28	40	6	9	6	35	4	AR1536F5
30	42	6	9	6	37	4	AR1664F5
31.5	44	7	10	7	38.5	4	AR1803G5
32	44	7	10	7	39	4	AR1870F5
35	47	7	10	7	42	4	AR2041E5
35.5	47.5	7	10	7	42.5	4	AR2149F5
36	48	7	10	7	43	4	BR1418E5
40	52	7	10	7	47	4	AR2342E5
45	57	7	10	7	52	4	AR2633G5
50	62	7	10	7	57	4	AR2831F5
Nominal Size of Dust Seal, and Housing dimensions							NOK
d	D	t	h	H _{10.4} ^{+0.6}	φS	B	Part Number
55	69	8	11	8	62	4	AR3033F5
56	70	8	11	8	63	4	AR3089G5
60	74	8	11	8	67	4	AR3187G5
63	77	8	11	8	70	4	AR3313F5
65	79	8	11	8	72	4	AR3381F5
70	84	8	11	8	77	4	AR3493F5
75	89	8	11	8	82	4	AR3596G5
80	94	8	11	8	87	4	AR3720I5
85	99	8	11	8	92	4	AR3828F5
90	104	8	11	8	97	4	AR3913E0
95	109	8	11	8	102	4	AR3976G5
100	114	8	11	8	107	4	AR4046G5
105	121	9	12	9	113	5	AR4142F5
110	126	9	12	9	118	5	AR4196F5
112	128	9	12	9	120	5	AR4232F5
120	136	9	12	9	128	5	AR4326E5
125	141	9	12	9	133	5	AR4393F5
140	160	10	14	10	150	5	AR4533G5
145	165	10	14	10	155	5	AR4578E5
150	170	10	14	10	160	5	AR4615E5
155	175	10	14	10	165	5	AR4663E5
160	180	10	14	10	170	5	AR4704G5
170	190	10	14	10	180	5	AR4785E5
175	195	10	14	10	185	5	AR4839F5
Nominal Size of Dust Seal, and Housing dimensions							NOK
d	D	t	h	H _{10.5} ^{+0.7}	φS	B	Part Number
180	205	12	17	12	191	5	AR4890G5
200	225	12	17	12	212	6	AR5048G5
225	250	12	17	12	237	6	AR5245F5
250	275	12	17	12	262	6	AR5396F5

DKH TYPE DUST SEALS FOR RECIPROCAL MOVEMENT



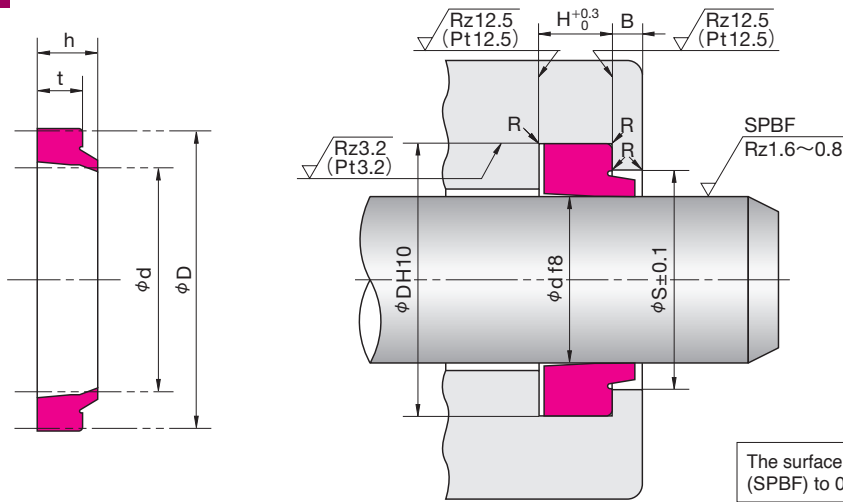
R = 0.3 or below

The surface of the rod should be finished by buffing (SPBF) to 0.8 to 1.6μmRz (0.2 to 0.4μmRa).

● The roughness is JIS B 0601 : 2001.
When regulation length cannot be kept, apply Pt.

Nominal Size of Dust Seal, and Housing dimensions					NOK Part Number
d	D	t	h	H ^{+0.5} _{+0.3}	
10	20	5	7	5	AR0258E5
15	25	5	7	5	AR0586E5
20	32	6	9	6	AR0995F5
22.4	34.4	6	9	6	AR1203G5
25	37	6	9	6	AR1301F5
28	40	6	9	6	AR1536G5
30	42	6	9	6	AR1664G5
35	47	7	10	7	AR2041F5
35.5	47.5	7	10	7	AR2149J5
40	52	7	10	7	AR2342F5
45	57	7	10	7	AR2633I5
50	62	7	10	7	AR2831H5
Nominal Size of Dust Seal, and Housing dimensions					NOK Part Number
d	D	t	h	H ^{+0.6} _{+0.4}	
55	69	8	11	8	AR3033G5
60	74	8	11	8	AR3187J5
65	79	8	11	8	AR3381G5
80	94	8	11	8	AR3720H5
85	99	8	11	8	AR3828G5
90	104	8	11	8	AR3913F5
95	109	8	11	8	AR3976H5
100	114	8	11	8	AR4046E5
105	121	9	12	9	AR4142E5
120	136	9	12	9	AR4326H5
130	146	9	12	9	AR4438E5
155	175	10	14	10	AR4663F5
Nominal Size of Dust Seal, and Housing dimensions					NOK Part Number
d	D	t	h	H ^{+0.7} _{+0.5}	
210	235	12	17	12	AR5129E5
230	255	12	17	12	AR5277E5
240	265	12	17	12	AR5336E5
265	290	12	17	12	AR5480E5
300	330	16	22	16	AR5622B5
310	340	16	22	16	AR5668B5
315	345	16	22	16	AR5685B5
330	360	16	22	16	AR5741B5
335	365	16	22	16	AR5761B5
440	480	18	24	18	AR6021B5
Nominal Size of Dust Seal, and Housing dimensions					NOK Part Number
d	D	t	h	H ^{+0.8} _{+0.6}	
460	490	20	25	20	AR6073B5
470	510	20	25	20	AR6094B5
Nominal Size of Dust Seal, and Housing dimensions					NOK Part Number
d	D	t	h	H ^{+0.7} _{+0.5}	
500	530	16	22	16	AR6140B5

DSI TYPE DUST SEALS FOR RECIPROCAL MOVEMENT (INSTALLED WITH INTERNAL GROOVE)



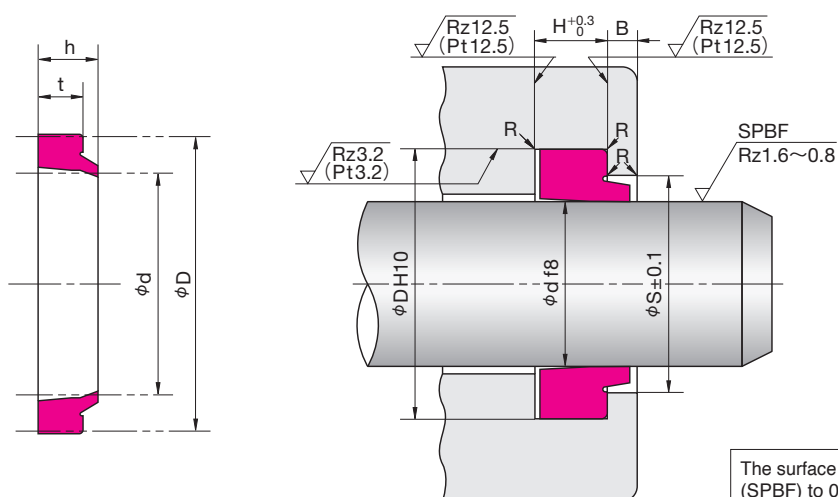
R = 0.3 or below

The surface of the rod should be finished by buffing (SPBF) to 0.8 to 1.6μmRz (0.2 to 0.4μmRa).

● The roughness is JIS B 0601 : 2001.
When regulation length cannot be kept, apply Pt.

Nominal Size of Dust Seal, and Housing dimensions							NOK
d	D	t	h	H	φS	B	Part Number
6.3	14.3	4.5	6	5	10.3	2	FQ0000D0
8	16	4.5	6	5	12	2	FQ0002D0
9	17	4.5	6	5	13	2	FQ0003D0
10	18	4.5	6	5	14	2	FQ0004D0
11.2	19.2	4.5	6	5	15.2	2	FQ0005D0
12.5	20.5	4.5	6	5	16.5	2	FQ0006D0
14	22	4.5	6	5	18	2	FQ0007D0
15	23	4.5	6	5	19	2	FQ0008D0
16	24	4.5	6	5	20.3	2	FQ0011D0
18	26	4.5	6	5	22.3	2	FQ0013D0
20	28	4.5	6	5	24	2	FQ0014D0
22.4	30.4	4.5	6	5	26.4	2	FQ0016D0
23.5	31.5	4.5	6	5	27.5	2	FQ0017D0
25	33	4.5	6	5	29	2	FQ0018D0
28	36	4.5	6	5	32	2	FQ0023D0
30	38	5	6.5	6	34	2	FQ0025D0
31.5	39.5	5	6.5	6	35.5	2	FQ0027D0
35	43	5	6.5	6	39	2	FQ0031D0
35.5	43.5	5	6.5	6	39.5	2	FQ0034D0
40	48	5	6.5	6	44	2	FQ0035D0
45	53	5	6.5	6	49	2	FQ0039D0
45.5	53.5	5	6.5	6	49.5	2	FQ0864D0
50	58	5	6.5	6	54	2	FQ0041D0
53	61	5	6.5	6	57	2	FQ0044D0
54.5	62.5	5	6.5	6	58.5	2	FQ0857D0
55	63	5	6.5	6	59	2	FQ0045D0
56	64	5	6.5	6	60	2	FQ0048D0
60	68	5	6.5	6	64	2	FQ0049D0
62	70	5	6.5	6	66	2	FQ0856D0
63	71	5	6.5	6	67	2	FQ0054D0
65	73	5	6.5	6	69	2	FQ0057D0
67	75	5	6.5	6	71	2	FQ0058D0
70	80	6	8	7	75	3	FQ0059D0
71	81	6	8	7	76	3	FQ0062D0
75	85	6	8	7	80	3	FQ0063D0
76	86	6	8	7	81	3	FQ0250D0
80	90	6	8	7	85	3	FQ0064D0
85	95	6	8	7	90	3	FQ0066D0
90	100	6	8	7	95	3	FQ0070D0
95	105	6	8	7	100	3	FQ0071D0
97	107	6	8	7	102	3	FQ0251D0
100	110	6	8	7	105	3	FQ0072D0

E DIMENSION DSI



R = 0.3 or below

The surface of the rod should be finished by buffing (SPBF) to 0.8 to 1.6μmRz (0.2 to 0.4μmRa).

●The roughness is JIS B 0601 : 2001.
When regulation length cannot be kept, apply Pt.

Nominal Size of Dust Seal, and Housing dimensions							NOK Part Number
d	D	t	h	H	φS	B	
105	115	6	8	7	110	3	FQ0075D0
106	116	6	8	7	111	3	FQ0078D0
110	120	6	8	7	115	3	FQ0079D0
112	122	6	8	7	117	4	FQ0082D0
118	128	6	8	7	123	4	FQ0085D0
120	130	6	8	7	125	4	FQ0087D0
125	138	7	9.5	8	132	4	FQ0091D0
130	143	7	9.5	8	137	4	FQ0093D0
132	145	7	9.5	8	139	4	FQ0095D0
140	153	7	9.5	8	147	4	FQ0097D0
145	158	7	9.5	8	152	4	FQ0099D0
150	163	7	9.5	8	157	4	FQ0101D0
155	168	7	9.5	8	162	4	FQ0103D0
160	173	7	9.5	8	167	4	FQ0105D0
170	183	7	9.5	8	177	4	FQ0106D0
175	188	7	9.5	8	182	4	FQ0108D0
180	193	7	9.5	8	187	4	FQ0111D0
185	198	7	9.5	8	192	5	FQ0114D0
190	203	7	9.5	8	197	5	FQ0115D0
199	212	7	9.5	8	206	5	FQ0116D0
200	213	7	9.5	8	207	5	FQ0117D0
204	217	7	9.5	8	211	5	FQ0119D0
210	223	7	9.5	8	217	5	FQ0120D0
215	228	7	9.5	8	222	5	FQ0408D1
220	233	7	9.5	8	227	5	FQ0123D0
224	237	7	9.5	8	231	5	FQ0124D0
225	238	7	9.5	8	232	5	FQ0125D0
230	243	7	9.5	8	237	5	FQ0127D0
240	253	7	9.5	8	247	5	FQ0129D0
250	263	7	9.5	8	257	5	FQ0130D0
260	275	9	12	10	268	5	FQ0134D0
270	285	9	12	10	278	5	FQ0135D0
280	295	9	12	10	288	5	FQ0136D0
290	305	9	12	10	298	5	FQ0138D0
300	315	9	12	10	308	5	FQ0139D0

LBI TYPE

DUST SEALS FOR
RECIPROCAL MOVEMENT
IRON RUBBER (PUR)



E
DIMENSION
L
B
I

- Please designate NOK Part number and type & size on your order.

(Example) · Type Dimensions

LBI 18 26 4.5 6

Type Sign

Nominal Size of Dust Seal
described in order of

inner diameter(d), outer diameter(D), thickness(t), and height(h)

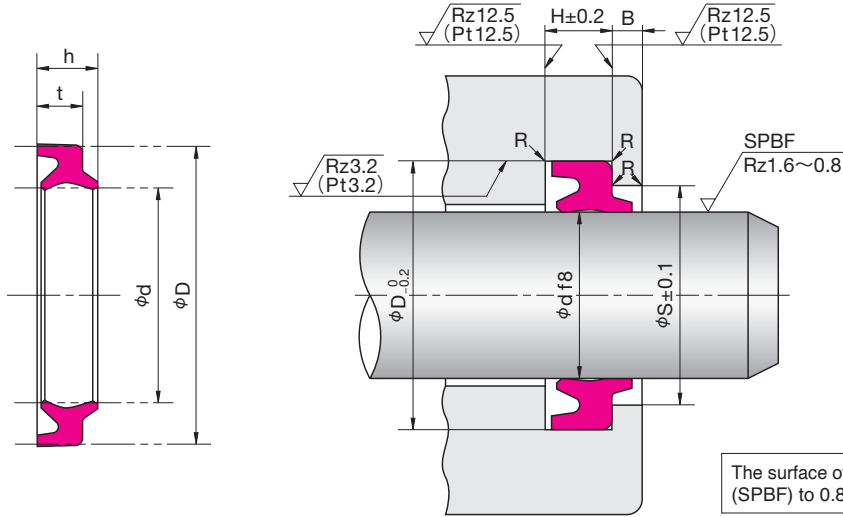
· Part Number

FQ0013C0

- Please check the application range on pages 20 and 21 before selecting the type.

Material	NOK U593
-----------------	----------

LBI TYPE DUST SEALS FOR RECIPROCAL MOVEMENT (INSTALLED WITH INTERNAL GROOVE)



$R = 0.3$ or below

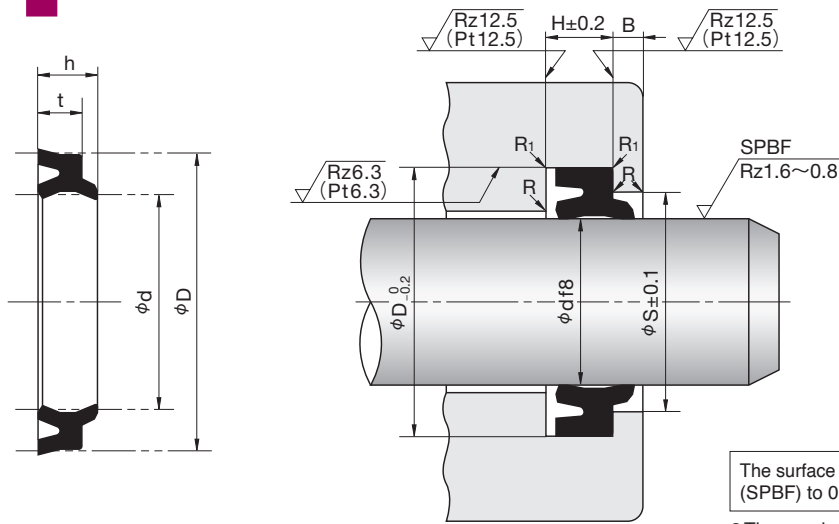
The surface of the rod should be finished by buffing (SPBF) to 0.8 to 1.6 $\mu m Rz$ (0.2 to 0.4 $\mu m Ra$).

● The roughness is JIS B 0601 : 2001.
When regulation length cannot be kept, apply Pt.

Nominal Size of Dust Seal, and Housing dimensions							NOK Part Number
d	D	t	h	H	ϕS	B	
18	26	4.5	6	5	22.3	2	FQ0013C0
20	28	4.5	6	5	24.3	2	FQ0014C0
22	30	4.5	6	5	26.3	2	FQ0651C0
22.4	30.4	4.5	6	5	26.7	2	FQ0016C0
25	33	4.5	6	5	29.3	2	FQ0018C0
26	34	4.5	6	5	30.3	2	FQ0841C0
28	36	4.5	6	5	32.3	2	FQ0023C0
30	38	5	6.5	6	34	2	FQ0025C1
31.5	39.5	5	6.5	6	35.5	2	FQ0027C0
32	40	5	6.5	6	36	2	FQ0568C1
34	42	5	6.5	6	38	2	FQ0285C0
35	43	5	6.5	6	39	2	FQ0031C1
35.5	43.5	5	6.5	6	39.5	2	FQ0034C0
38	46	5	6.5	6	42	2	FQ0281C1
40	48	5	6.5	6	44	2	FQ0035C1
45	53	5	6.5	6	49	2	FQ0039C1
48	56	5	6.5	6	52	2	FQ0272C0
50	58	5	6.5	6	54	2	FQ0041C0
55	63	5	6.5	6	59	2	FQ0045C1
56	64	5	6.5	6	60	2	FQ0048C1
58	66	5	6.5	6	62	2	FQ0286C0
60	68	5	6.5	6	64	2	FQ0049C1
63	71	5	6.5	6	67	2	FQ0054C0
65	73	5	6.5	6	69	2	FQ0057C1
70	80	6	8	7	75	3	FQ0059C0
71	81	6	8	7	76	3	FQ0062C0
75	85	6	8	7	80	3	FQ0063C0
80	90	6	8	7	85	3	FQ0064C0
85	95	6	8	7	90	3	FQ0066C0
90	100	6	8	7	95	3	FQ0070C0
95	105	6	8	7	100	3	FQ0071C0
100	110	6	8	7	105	3	FQ0072C0
105	115	6	8	7	110	3	FQ0075C0
110	120	6	8	7	115	3	FQ0079C1
112	122	6	8	7	117	3	FQ0082C0
125	138	7	9.5	8	132	3	FQ0091C0
140	153	7	9.5	8	147	3	FQ0097C0
150	163	7	9.5	8	157	3	FQ0101C0
160	173	7	9.5	8	167	3	FQ0105C2
180	193	7	9.5	8	187	3	FQ0111C0
185	198	7	9.5	8	192	3	FQ0114C0
200	213	7	9.5	8	207	3	FQ0117C0
210	223	7	9.5	8	217	3	FQ0120C0
250	265	9	11.5	10	258	3	FQ0131C0

E DIMENSION LBI

LBH TYPE DUST SEALS (INSTALLED WITH INTERNAL GROOVE)



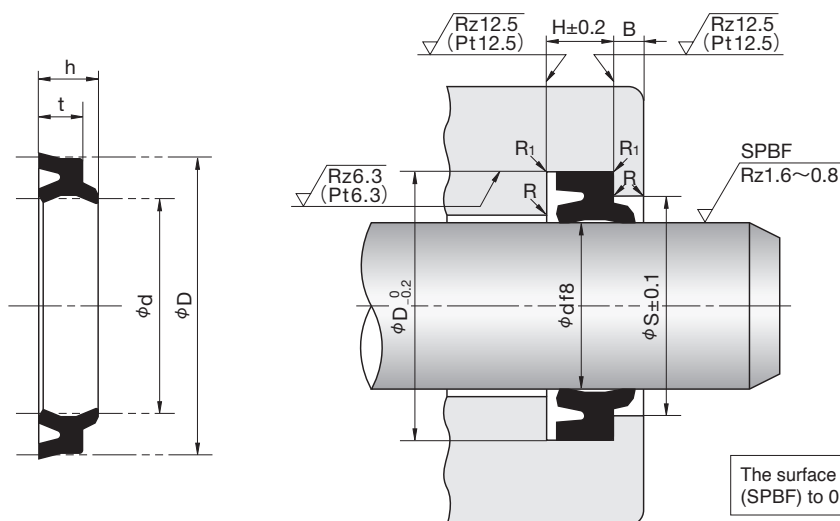
R = 0.3 or below
R₁ = 0.5 or below

The surface of the rod should be finished by buffing (SPBF) to 0.8 to 1.6μmRz (0.2 to 0.4μmRa).

● The roughness is JIS B 0601 : 2001.
When regulation length cannot be kept, apply Pt.

Nominal Size of Dust Seal, and Housing dimensions							Standard (A505)		Heat resistant (F357)	
d	D	t	h	H	φS	B	NOK Part Number	Nominal Number	NOK Part Number	Nominal Number
12	20	4.5	6	5	16.3	2	CL0480C0	LBH-12		
12.5	20.5	4.5	6	5	16.8	2	CL0447C1	LBH-12.5		
14	22	4.5	6	5	18.3	2	CL0432C0	LBH-14		
16	24	4.5	6	5	20.3	2	CL0293C0	LBH-16	CL0293C3	LBH-16F
18	26	4.5	6	5	22.3	2	CL0011C0	LBH-18	CL0011C6	LBH-18F
20	28	4.5	6	5	24.3	2	CL0017C0	LBH-20	CL0017C4	LBH-20F
22	30	4.5	6	5	26.3	2	CL0240C0	LBH-22	CL0240C3	LBH-22F
22.4	30.4	4.5	6	5	26.7	2	CL0026C3	LBH-22.4	CL0026C6	LBH-22.4F
25	33	4.5	6	5	29.3	2	CL0031C0	LBH-25	CL0031C2	LBH-25F
28	36	4.5	6	5	32.3	2	CL0042C0	LBH-28	CL0042C4	LBH-28F
30	38	5	6.5	6	34	2	CL0050C0	LBH-30	CL0050C3	LBH-30F
31.5	39.5	5	6.5	6	35.5	2	CL0054C0	LBH-31.5	CL0054C3	LBH-31.5F
32	40	5	6.5	6	36	2	CL0363C0	LBH-32	CL0363C3	LBH-32F
35	43	5	6.5	6	39	2	CL0066C1	LBH-35	CL0066C4	LBH-35F
35.5	43.5	5	6.5	6	39.5	2	CL0072C0	LBH-35.5	CL0072C4	LBH-35.5F
36	44	5	6.5	6	40	2	CL0335C1	LBH-36		
40	48	5	6.5	6	44	2	CL0077C2	LBH-40	CL0077C4	LBH-40F
45	53	5	6.5	6	49	2	CL0085C0	LBH-45	CL0085C4	LBH-45F
50	58	5	6.5	6	54	2	CL0087C3	LBH-50	CL0087C5	LBH-50F
53	61	5	6.5	6	57	2	CL0100C0	LBH-53	CL0100C2	LBH-53F
55	63	5	6.5	6	59	2	CL0104C0	LBH-55	CL0104C2	LBH-55F
56	64	5	6.5	6	60	2	CL0105C1	LBH-56	CL0105C4	LBH-56F
60	68	5	6.5	6	64	2	CL0107C0	LBH-60	CL0107C2	LBH-60F
63	71	5	6.5	6	67	2	CL0109C1	LBH-63	CL0109C3	LBH-63F
65	73	5	6.5	6	69	2	CL0115C0	LBH-65	CL0115C2	LBH-65F
67	75	5	6.5	6	71	2	CL0118C1	LBH-67	CL0118C2	LBH-67F
70	80	6	8	7	75	3	CL0121C0	LBH-70	CL0121C3	LBH-70F
71	81	6	8	7	76	3	CL0125C0	LBH-71	CL0125C2	LBH-71F
75	85	6	8	7	80	3	CL0127C0	LBH-75	CL0127C2	LBH-75F
80	90	6	8	7	85	3	CL0138C1	LBH-80	CL0138C3	LBH-80F
85	95	6	8	7	90	3	CL0142C0	LBH-85	CL0142C3	LBH-85F
90	100	6	8	7	95	3	CL0149C0	LBH-90	CL0149C4	LBH-90F
95	105	6	8	7	100	3	CL0152C0	LBH-95	CL0152C3	LBH-95F
100	110	6	8	7	105	3	CL0154C2	LBH-100	CL0154C4	LBH-100F

Remark) The Part number and the one stamped on the product might be different in case of heat resistant type.



R = 0.3 or below
R₁ = 0.5 or below

The surface of the rod should be finished by buffing (SPBF) to 0.8 to 1.6μmRz (0.2 to 0.4μmRa).

● The roughness is JIS B 0601 : 2001.
When regulation length cannot be kept, apply Pt.

Nominal Size of Dust Seal, and Housing dimensions							Standard (A505)		Heat resistant (F357)	
d	D	t	h	H	φS	B	NOK Part Number	Nominal Number	NOK Part Number	Nominal Number
105	115	6	8	7	110	3	CL0476C0	LBH-105		
106	116	6	8	7	111	3	CL0162C0	LBH-106		
110	120	6	8	7	115	3	CL0448C0	LBH-110	CL0448C2	LBH-110F
112	122	6	8	7	117	3	CL0166C2	LBH-112	CL0166C3	LBH-112F
115	125	6	8	7	120	3	CL0478C0	LBH-115		
118	128	6	8	7	123	3	CL0466C0	LBH-118		
120	133	7	9.5	8	127	3	CL0245C1	LBH-120		
125	138	7	9.5	8	132	3	CL0171C0	LBH-125	CL0171C3	LBH-125F
132	145	7	9.5	8	139	3	CL0174C0	LBH-132		
140	153	7	9.5	8	147	3	CL0179C1	LBH-140	CL0179C4	LBH-140F
145	158	7	9.5	8	152	3	CL0182C0	LBH-145	CL0182C1	LBH-145F
150	163	7	9.5	8	157	3	CL0185C0	LBH-150	CL0185C1	LBH-150F
155	168	7	9.5	8	162	3	CL0486C0	LBH-155		
160	173	7	9.5	8	167	3	CL0188C1	LBH-160	CL0188C3	LBH-160F
160	174	7	9.5	8	167	3	CL0487C0	LBH-160A		
165	178	7	9.5	8	172	3	CL0190C0	LBH-165		
170	183	7	9.5	8	177	3	CL0488C0	LBH-170		
170	185	11	14	12	178	5	CL0191C0	LBH-170A		
175	188	7	9.5	8	182	3	CL0193C0	LBH-175		
180	193	7	9.5	8	187	3	CL0196C1	LBH-180	CL0196C4	LBH-180F
180	194	7	9.5	8	187	3	CL0489C0	LBH-180A		
190	203	7	9.5	8	197	3	CL0490C0	LBH-190		
200	213	7	9.5	8	207	3	CL0199C1	LBH-200	CL0199C3	LBH-200F
205	218	7	9.5	8	212	3	CL0446C0	LBH-205		
210	223	7	9.5	8	217	3	CL0324C1	LBH-210		
224	237	7	9.5	8	231	3	CL0204C1	LBH-224	CL0204C2	LBH-224F
240	256	10	13	11	248	4	CL0300C0	LBH-240		
250	266	9	12	10	258	4	CL0207C0	LBH-250A		
250	266	10	13	11	258	4	CL0267C0	LBH-250		
280	296	9	12	10	288	4	CL0212C0	LBH-280A	CL0212C2	LBH-280AF
355	371	10	13	11	363	4	CL0532C0	LBH-355		
355	375	10	14	11	365	5	CL0301C0	LBH-355A		
400	416	10	13	11	408	4	CL0529C0	LBH-400		
500	520	11.5	15.5	12.5	510	5	CL0460C0	LBH-500		

Remark) The Part number and the one stamped on the product might be different in case of heat resistant type.

LBHK_{TYPE}

DUST SEALS
NITRILE RUBBER (NBR)



E
DIMENSION
LBHK

- Please designate NOK Part number and type & size on your order.

(Example) · Type Dimensions LBHK 14 24 4.8 6.7

└─ Type Sign

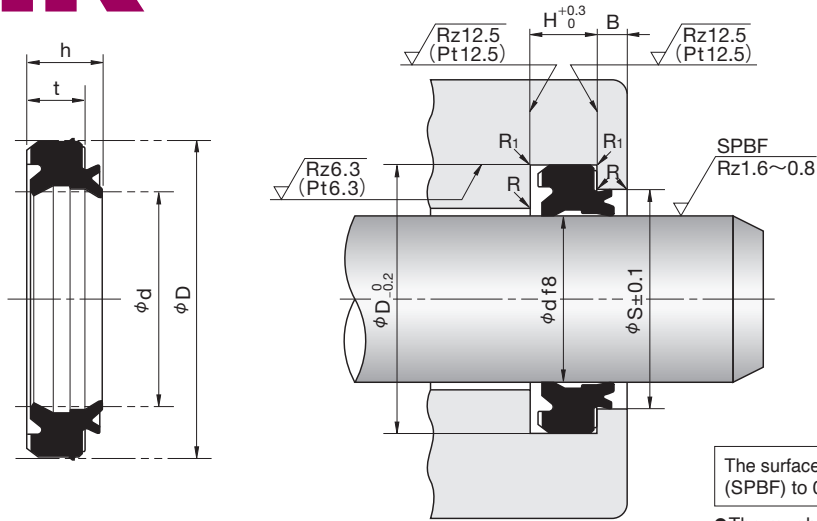
└─ Nominal Size of Dust Seal
described in order of
inner diameter(d), outer diameter(D), thickness(t), and height(h)

· Part Number CL0533C0

- Please check the application range on pages 20 and 21 before selecting the type.

Material	Standard : NOK A505 Cold resistant type : NOK A567
-----------------	---

LBHK TYPE DUST SEALS (INSTALLED WITH INTERNAL GROOVE)



R = 0.3 or below
R₁ = 0.5 or below

The surface of the rod should be finished by buffing (SPBF) to 0.8 to 1.6 μ mRz (0.2 to 0.4 μ mRa).

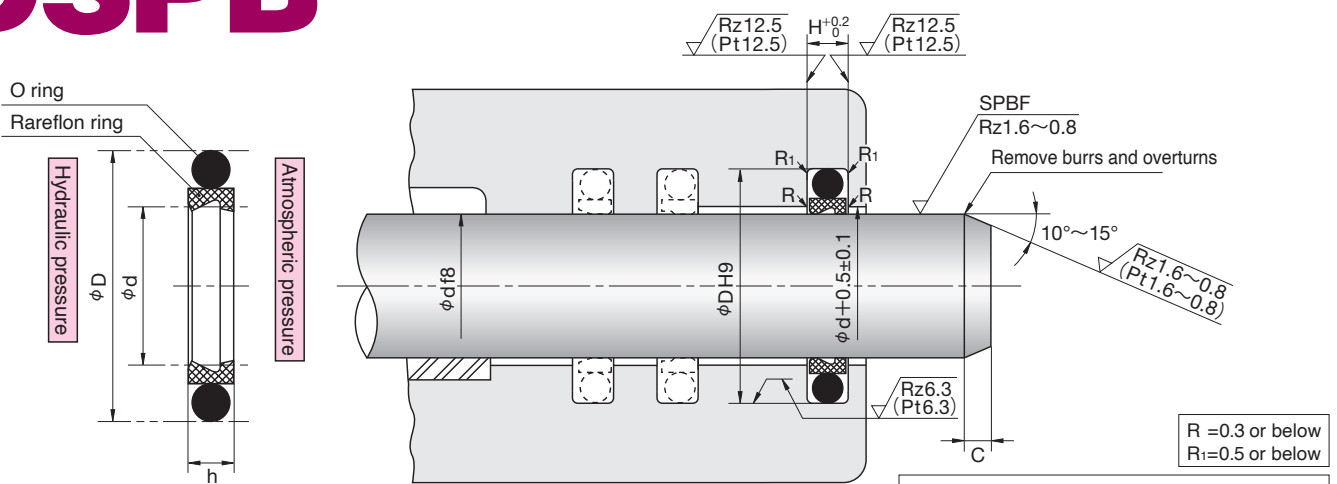
● The roughness is JIS B 0601 : 2001.
When regulation length cannot be kept, apply Pt.

Nominal Size of Dust Seal, and Housing dimensions							NOK Part Number	
d	D	t	h	H	ϕS	B	Standard (A505)	Cold resistant (A567)
14	24	4.8	6.7	5	19	3	CL0533C0	CL0533C1
18	30	5.8	7.8	6	24	3	CL0534C0	CL0534C1
20	32	5.8	7.8	6	26	3	CL0535C0	CL0535C1
25	37	5.8	7.8	6	31	3	CL0536C0	CL0536C1
28	40	5.8	7.8	6	34	3	CL0537C0	CL0537C1
30	42	5.8	7.8	6	36	3	CL0531C1	CL0531C0
31.5	44	6.8	8.8	7	38	3	CL0538C0	CL0538C1
35	47	6.8	8.8	7	41	3	CL0527C0	CL0527C1
35.5	47.5	6.8	8.8	7	41.5	3	CL0539C0	CL0539C1
40	52	6.8	8.8	7	46	3	CL0540C0	CL0540C1
45	57	6.8	8.8	7	51	3	CL0541C0	CL0541C1
50	62	6.8	8.8	7	56	3	CL0542C0	CL0542C1
55	69	7.7	10	8	62	3	CL0543C0	CL0543C1
56	70	7.7	10	8	63	3	CL0544C0	CL0544C1
60	74	7.7	10	8	67	3	CL0518C1	CL0518C2
63	77	7.7	10	8	70	3	CL0545C0	CL0545C1
65	79	7.7	10	8	72	3	CL0546C0	CL0546C1
70	84	7.7	10	8	77	3	CL0547C0	CL0547C1
71	85	7.7	10	8	78	3	CL0548C0	CL0548C1
75	89	7.7	10	8	82	3	CL0549C0	CL0549C1
80	94	7.7	10	8	87	3	CL0519C1	CL0519C2
85	99	7.7	10	8	92	3	CL0550C0	CL0550C1
90	104	7.7	10	8	97	3	CL0551C0	CL0551C1
95	109	7.7	10	8	102	3	CL0552C0	CL0552C1
100	114	7.7	10	8	107	3	CL0553C0	CL0553C1
105	121	8.7	11.4	9	113	4	CL0554C0	CL0554C1
106	120	7.7	10	8	113	3	CL0555C0	CL0555C1
110	126	8.7	11.4	9	118	4	CL0556C0	CL0556C1
112	128	8.7	11.4	9	120	4	CL0557C0	CL0557C1
115	131	8.7	11.4	9	123	4	CL0558C0	CL0558C1
118	134	8.7	11.4	9	126	4	CL0559C0	CL0559C1
120	136	8.7	11.4	9	128	4	CL0560C0	CL0560C1

Remark) The Part number and the one stamped on the product might be different in case of heat resistant type.

E DIMENSION
LBHK

DSPB^{TYPE} SPECIAL PACKINGS FOR DUST SEALS

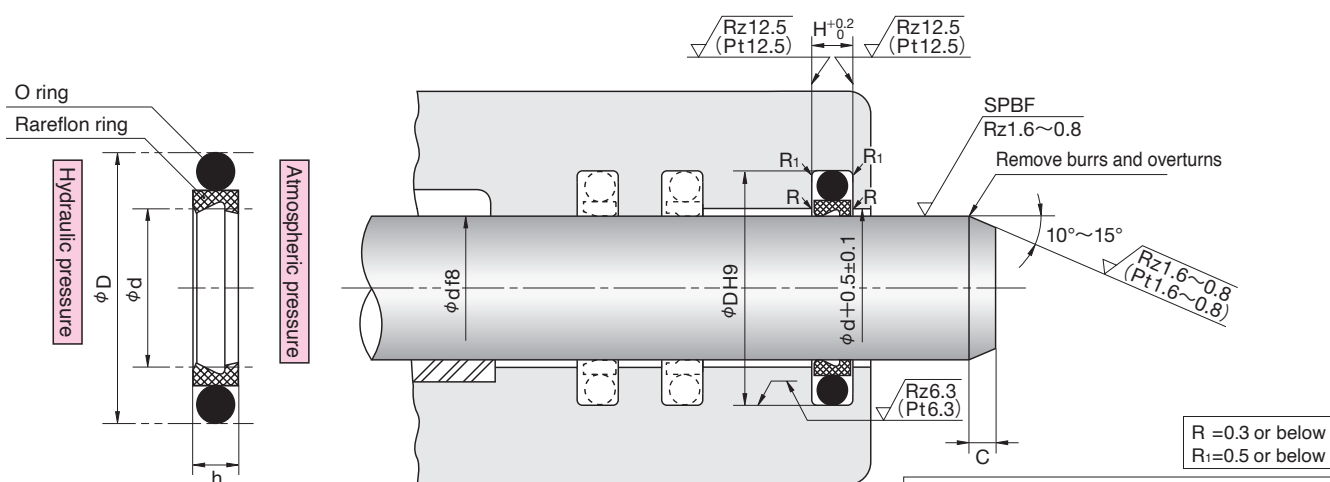


The surface of the rod should be finished by buffing (SPBF) to 0.8 to 1.6μmRz (0.2 to 0.4μmRa).

- The roughness is JIS B 0601 : 2001.
- When regulation length cannot be kept, apply Pt.

Nominal Number	Nominal Size of Dust Seal, and Housing dimensions					NOK Part Number
	d	D	h	H	C	
DSPB 4	4	8.9	2.1	2.2	3.5	● GS5500V0
5	5	9.9	2.1	2.2	3.5	● GS5501V0
6	6	10.9	2.1	2.2	3.5	● GS5502V0
7	7	11.9	2.1	2.2	3.5	● GS5503V0
8S	8	12.9	2.1	2.2	3.5	● GS5504V0
8	8	15.3	3.1	3.2	3.5	● GS5505V0
10S	10	14.9	2.1	2.2	3.5	● GS5506V0
10	10	17.3	3.1	3.2	3.5	● GS5507V0
12S	12	16.9	2.1	2.2	4.5	● GS5508V0
12	12	19.3	3.1	3.2	4.5	● GS5509V0
14S	14	18.9	2.1	2.2	4.5	● GS5510V0
14	14	21.3	3.1	3.2	4.5	● GS5511V0
15S	15	19.9	2.1	2.2	4.5	● GS5512V0
15	15	22.3	3.1	3.2	4.5	● GS5513V0
16S	16	20.9	2.1	2.2	4.5	● GS5514V0
16	16	23.3	3.1	3.2	4.5	● GS5515V0
18S	18	22.9	2.1	2.2	4.5	● GS5516V0
18	18	25.3	3.1	3.2	4.5	● GS5517V0
20S	20	27.3	3.1	3.2	4.5	● GS5518V0
20	20	30.7	4.1	4.2	4.5	● GS5519V0
22S	22	29.3	3.1	3.2	4.5	● GS5520V0
22	22	32.7	4.1	4.2	4.5	● GS5521V0
22.4S	22.4	29.7	3.1	3.2	4.5	● GS5522V0
22.4	22.4	33.1	4.1	4.2	4.5	● GS5523V0
25S	25	32.3	3.1	3.2	5.5	● GS5524V0
25	25	35.7	4.1	4.2	5.5	● GS5525V0
28S	28	35.3	3.1	3.2	5.5	● GS5526V0
28	28	38.7	4.1	4.2	5.5	● GS5527V0
30S	30	37.3	3.1	3.2	5.5	● GS5528V0
30	30	40.7	4.1	4.2	5.5	● GS5529V0
32S	32	39.3	3.1	3.2	5.5	GS5530V0
32	32	42.7	4.1	4.2	5.5	GS5531V0
35S	35	42.3	3.1	3.2	5.5	GS5532V0
35	35	45.7	4.1	4.2	5.5	GS5533V0
35.5S	35.5	42.8	3.1	3.2	5.5	GS5534V0
35.5	35.5	46.2	4.1	4.2	5.5	GS5535V0
36S	36	43.3	3.1	3.2	5.5	GS5536V0
36	36	46.7	4.1	4.2	5.5	GS5537V0
38S	38	48.7	4.1	4.2	5.5	GS5538V0
38	38	53.1	6.1	6.3	5.5	GS5539V0

Remark) When using the packing with ●, provide separate grooves.

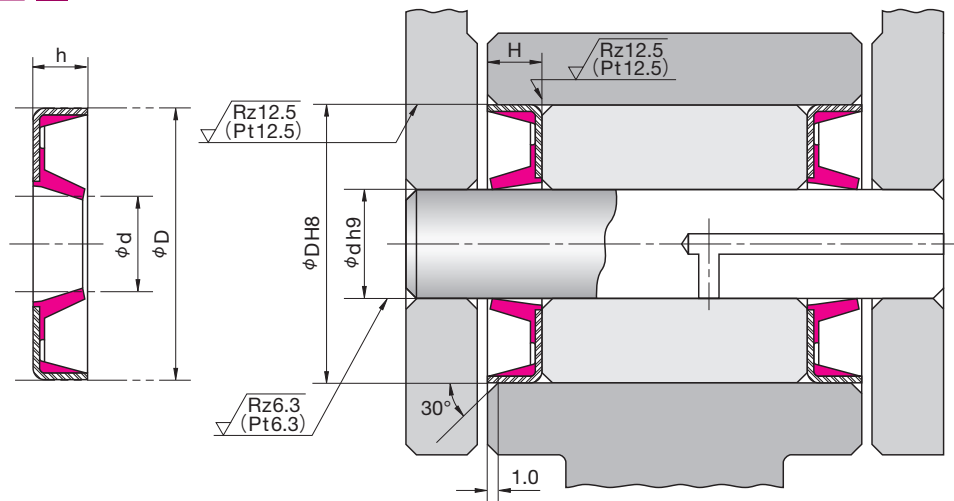


The surface of the rod should be finished by buffing (SPBF) to 0.8 to 1.6 μ mRz (0.2 to 0.4 μ mRa).

●The roughness is JIS B 0601 : 2001.
When regulation length cannot be kept, apply Pt.

Nominal Number	Nominal Size of Dust Seal, and Housing dimensions					NOK Part Number
	d	D	h	H	C	
DSPB 40S	40	50.7	4.1	4.2	5.5	GS5540V0
40	40	55.1	6.1	6.3	5.5	GS5541V0
42S	42	52.7	4.1	4.2	5.5	GS5542V0
42	42	57.1	6.1	6.3	5.5	GS5543V0
45S	45	55.7	4.1	4.2	5.5	GS5544V0
45	45	60.1	6.1	6.3	5.5	GS5545V0
50S	50	60.7	4.1	4.2	5.5	GS5546V0
50	50	65.1	6.1	6.3	5.5	GS5547V0
56S	56	66.7	4.1	4.2	7	GS5548V0
56	56	71.1	6.1	6.3	7	GS5549V0
60S	60	70.7	4.1	4.2	7	GS5550V0
60	60	75.1	6.1	6.3	7	GS5551V0
63	63	78.1	6.1	6.3	7	GS5552V0
65	65	80.1	6.1	6.3	7	GS5553V0
67	67	82.1	6.1	6.3	7	GS5554V0
70	70	85.1	6.1	6.3	7	GS5555V0
71	71	86.1	6.1	6.3	7	GS5556V0
75	75	90.1	6.1	6.3	7	GS5557V0
80	80	95.1	6.1	6.3	7	GS5558V0
85	85	100.1	6.1	6.3	7	GS5559V0
90	90	105.1	6.1	6.3	7	GS5560V0
95	95	110.1	6.1	6.3	7	GS5561V0
100	100	115.1	6.1	6.3	7	GS5562V0
105	105	120.1	6.1	6.3	7	GS5563V0
110	110	125.1	6.1	6.3	7	GS5564V0
112	112	127.1	6.1	6.3	7	GS5565V0
115	115	130.1	6.1	6.3	7	GS5566V0
120	120	135.1	6.1	6.3	7	GS5567V0
125	125	140.1	6.1	6.3	7	GS5568V0
130	130	145.1	6.1	6.3	7	GS5569V0
135	135	150.1	6.1	6.3	7	GS5570V0
140	140	155.1	6.1	6.3	7	GS5571V0
150	150	165.1	6.1	6.3	7	GS5572V0
160	160	175.1	6.1	6.3	7	GS5573V0
170	170	185.1	6.1	6.3	7	GS5574V0
180	180	195.1	6.1	6.3	7	GS5575V0

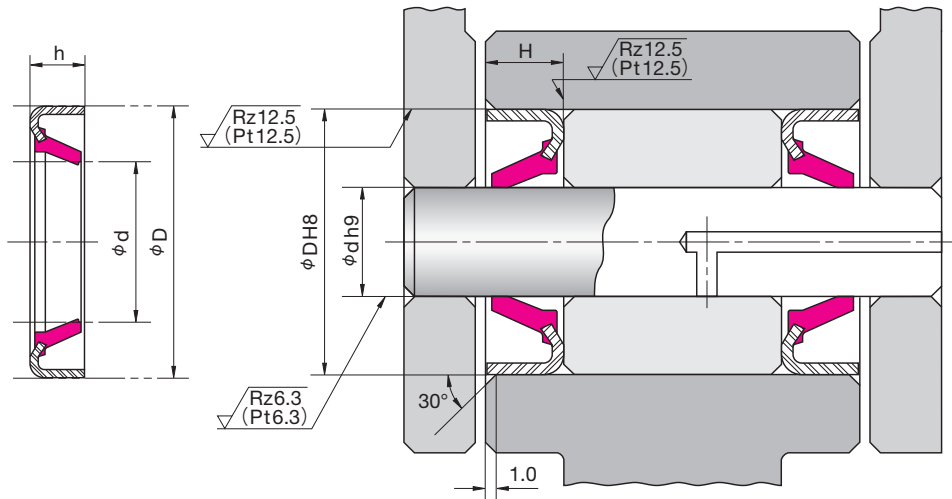
DLI TYPE DUST SEALS FOR OSCILLATING MOVEMENT



●The roughness is JIS B 0601 : 2001.
When regulation length cannot be kept, apply Pt.

Nominal Size of Dust Seal, and Housing dimensions				NOK Part Number
d	D	h	$H^{+0.5}_{+0.3}$	
40	50	5	5	FD9991E0
50	60	5	5	FD9990E0
55	68	6	6	FD9996E0
60	75	6	6	FD3191F0
Nominal Size of Dust Seal, and Housing dimensions				NOK Part Number
d	D	h	$H^{+0.6}_{+0.4}$	
65	80	8	8	FD9994E0
70	85	8	8	FD9922E0
75	90	8	8	FD3598E0
90	105	8	8	FD3916E0
95	110	8	8	FD3978F0
100	115	8	8	FD6715E0
105	120	8	8	FD4141F0
110	125	8	8	FD9993E0
115	130	8	8	FD9984E0
120	135	8	8	FD9938E0
125	140	8	8	FD9995E0
140	170	10	10	FD9969E0
145	160	8	8	FD6713E0
150	180	11	11	FD9956E0
160	180	8	8	FD6712E0
160	190	8	8	FD6710E0
160	190	13	13	FD4710E0
170	200	13	13	FD4792E0
175	205	8	8	FD6711E0
180	200	8	8	FD6727E0
180	210	13	13	FD6759E0
190	210	8	8	FD6728E0
200	220	8	8	FD6729E0
200	230	8	8	FD6730E0
200	230	13	13	FD6723E0
220	250	13	13	FD9975E0
220	255	14	14	FD6774E0
230	255	14	14	FD6793E0
240	270	13	13	FD6724E0
240	275	14	14	FD6763E0
250	280	13	13	FD6725E0

DLI2^{TYPE} DUST SEALS FOR OSCILLATING MOVEMENT



●The roughness is JIS B 0601 : 2001.
When regulation length cannot be kept, apply Pt.

Nominal Size of Dust Seal, and Housing dimensions				NOK Part Number
d	D	h	$H^{+0.5}_{+0.3}$	
35	45	4	4	FD2032G0
40	50	5	5	FD9991E1
50	60	5	5	FD9990E1
55	68	6	6	FD9996E1
Nominal Size of Dust Seal, and Housing dimensions				NOK Part Number
d	D	h	$H^{+0.6}_{+0.4}$	
60	75	8	8	FD3192E1
65	80	8	8	FD9994E1
70	85	8	8	FD9922E1
75	90	8	8	FD3598E1
85	100	8	8	FD9989E1
95	110	8	8	FD3978F1
110	125	8	8	FD9993E1
120	135	8	8	FD9938E1
125	140	8	8	FD9995E1
140	155	8	8	FD6714E1
145	160	8	8	FD6713E1