

# IDI TYPE

## SPECIAL PACKINGS FOR ROD SEALS IRON RUBBER (PUR)



● Please designate NOK Part number and type & size on your order.

(Example) Order for the packing as a single piece

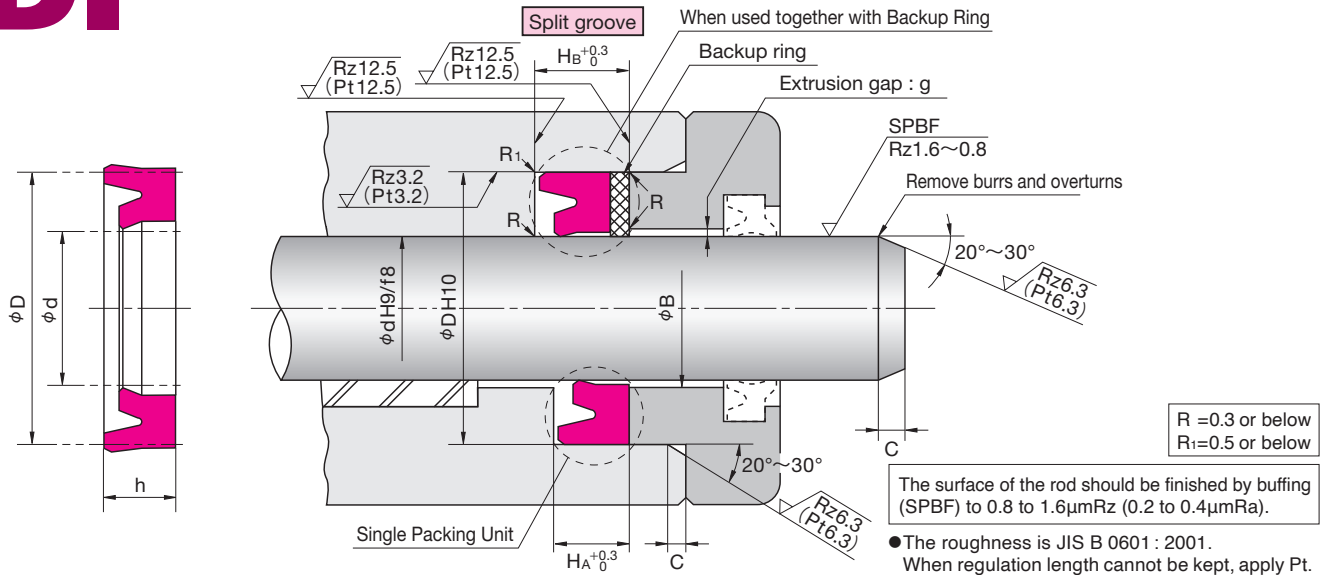
· Type Dimensions	<u>IDI</u>	<u>6.3</u>	<u>14.3</u>	<u>5</u>	
	└─ Type Sign	└─ Nominal Size of Packing described in order of inner diameter(d), outer diameter(D), and height(h)			
· Part Number	FU0021F0				

※ When placing orders for backup rings used in combination with packing, designate the NOK part number and the model size.

· Type Dimensions	<u>BRT3</u>	<u>6.3</u>	<u>14.3</u>	<u>2</u>	
	└─ Type Sign	└─ Nominal Size of Backup ring described in order of inner diameter(d), outer diameter(D), and thickness(t)*			
· Part Number	GN7259V0				*t = H <sub>B</sub> - H <sub>A</sub> (Housing dimensions)

● Please check the application range on pages 14 and 15 before selecting the type.

<b>Material</b>	NOK U801
-----------------	----------



Nominal Size of Packing, and Housing dimensions						Packing Part Number	Combination Backup Ring Part Number	
d	D	h	H <sub>A</sub>	H <sub>B</sub>	C		BRT3 (Endless) 19YF	BRN3 (Endless) 80NP
6.3	14.3	5	5.7	7.7	2.5	※FU0021F0	GN7259V0	GN9822O0
6.3	16.3	6	7	9	2.5	※FU0022F0	GN0720V0	GN9823O0
6.3	16.3	7.5	8.5	10.5	2.5	FU0023F0	GN0720V0	GN9823O0
6.3	16.3	8	9	11	2.5	FU0024F0	GN0720V0	GN9823O0
8	16	5	5.7	7.7	2.5	※FU0039F0	GN7260V0	GN9824O0
8	18	6	7	9	2.5	※FU0041F0	GN0725V0	GN9101O1
8	18	7.5	8.5	10.5	2.5	FU0042F0	GN0725V0	GN9101O1
8	18	8	9	11	2.5	FU0043F0	GN0725V0	GN9101O1
9	17	5	5.7	7.7	2.5	※FU0051F0	GN7261V0	GN9825O0
9	19	6	7	9	2.5	※FU0052F0	GN0728V0	GN9826O0
9	19	7.5	8.5	10.5	2.5	FU0053F0	GN0728V0	GN9826O0
9	19	8	9	11	2.5	FU0054F0	GN0728V0	GN9826O0
10	18	5	5.7	7.7	2.5	※FU0064F0	GN7262V0	GN9827O0
10	20	6	7	9	2.5	※FU0066F0	GN0733V0	GN9102O1
10	20	7.5	8.5	10.5	2.5	FU0068F0	GN0733V0	GN9102O1
10	20	8	9	11	2.5	FU0069F0	GN0733V0	GN9102O1
11.2	19.2	5	5.7	7.7	2.5	※FU0078F0	GN7236V0	GN9792O0
11.2	21.2	6	7	9	2.5	※FU0079F0	GN0736V0	GN9828O0
11.2	21.2	7.5	8.5	10.5	2.5	FU0080F0	GN0736V0	GN9828O0
11.2	21.2	8	9	11	2.5	FU0081F0	GN0736V0	GN9828O0
12.5	20.5	5	5.7	7.7	2.5	※FU0098F0	GN7263V0	GN9829O0
12.5	22.5	6	7	9	2.5	※FU0100F0	GN0741V0	GN9830O0
12.5	22.5	7.5	8.5	10.5	2.5	FU0101F0	GN0741V0	GN9830O0
12.5	22.5	8	9	11	2.5	FU0102F0	GN0741V0	GN9830O0
14	22	5	5.7	7.7	2.5	※FU0116F0	GN7238V0	GN9794O0
14	24	6	7	9	2.5	※FU0120F0	GN0745V0	GN9103O1
14	24	7.5	8.5	10.5	2.5	FU0121F0	GN0745V0	GN9103O1
14	24	8	9	11	2.5	FU0122F0	GN0745V0	GN9103O1
15	23	5	5.7	7.7	2.5	※FU0131F0	GN7264V0	GN9831O0
15	25	6	7	9	2.5	※FU0134F0	GN0749V0	GN9738O1
15	25	8	9	11	2.5	FU0135F0	GN0749V0	GN9738O1
15	28	8	9	11	3.5	FU0136F0	GN6445V0	GN9104O1
15	28	10	11	13	3.5	FU0137F0	GN6445V0	GN9104O1
16	24	5	5.7	7.7	2.5	※FU0150F0	GN7265V0	GN9832O0
16	26	6	7	9	2.5	※FU0155F0	GN0751V0	GN9105O1
16	26	7.5	8.5	10.5	2.5	FU0156F0	GN0751V0	GN9105O1
16	26	8	9	11	2.5	FU0157F0	GN0751V0	GN9105O1
18	28	6	7	9	2.5	※FU0181F0	GN0757V0	GN9833O0
18	28	8	9	11	2.5	FU0182F0	GN0757V0	GN9833O0
18	31	8	9	11	3.5	FU0185F0	GN6446V0	GN9107O1
18	31	10	11	13	3.5	FU0186F0	GN6446V0	GN9107O1

※ The resisting pressure limit applies to the ISI type.

## HOW TO DETERMINE B DIMENSION

### ■ When using backup ring

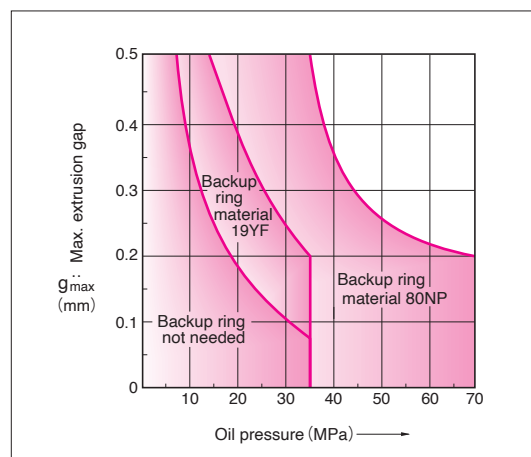
Please determine B dimension according to the table below. If you require smaller B dimension because of the cylinder configuration, please consult NOK.

Maximum Service Pressure	14MPa	21MPa	35MPa
Material of Backup ring	19YF		
B Dimension	$B \leq \phi d + 1.0$	$B \leq \phi d + 0.5$	$B \leq \phi d + 0.2$

Maximum Service Pressure	35MPa	42MPa	70MPa
Material of Backup ring	80NP		
B Dimension	$B \leq \phi d + 0.8$	$B \leq \phi d + 0.4$	$B \leq \phi d + 0.2$

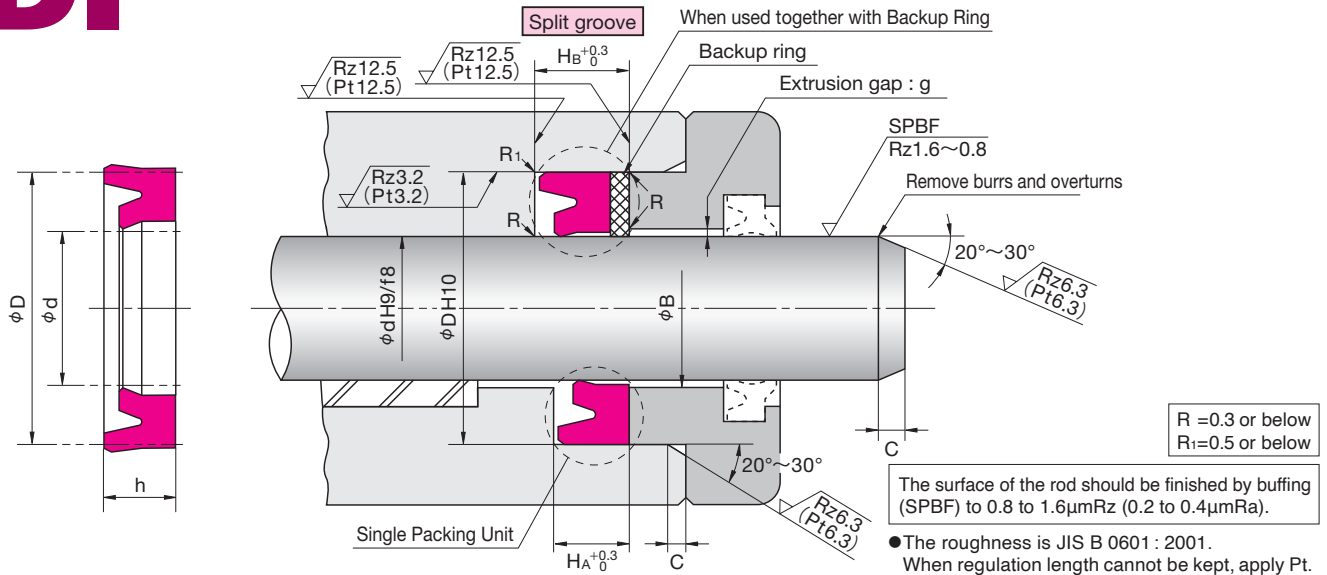
### ■ When not using backup ring

To determine B dimension, please refer to the graph in the right for the maximum extrusion gap (one side) considering the eccentricity of operating condition of the piston.



Nominal Size of Packing, and Housing dimensions						Packing Part Number	Combination Backup Ring Part Number	
d	D	h	H <sub>A</sub>	H <sub>B</sub>	C		BRT3 (Endless)	BRN3 (Endless)
							19YF	80NP
20	30	6	7	9	3.5	※FU0214F0	GN0762V0	GN9109O1
20	30	8	9	11	3.5	FU0215F0	GN0762V0	GN9109O1
20	33	8	9	11	3.5	FU0220F0	GN6448V0	GN9110O1
20	33	10	11	13	3.5	FU0221F0	GN6448V0	GN9110O1
22	35	10	11	13	3.5	FU0249F0	GN6449V0	GN9111O1
22.4	32.4	6	7	9	3.5	※FU0262F0	GN0771V0	GN9834O0
22.4	32.4	8	9	11	3.5	FU0263F0	GN0771V0	GN9834O0
22.4	35.4	8	9	11	3.5	FU0264F0	GN6017V0	GN9798O0
22.4	35.4	10	11	13	3.5	FU0265F0	GN6017V0	GN9798O0
25	35	6	7	9	3.5	※FU0279F0	GN0781V0	GN9115O1
25	35	8	9	11	3.5	FU0282F0	GN0781V0	GN9115O1
25	38	8	9	11	3.5	FU0287F0	GN6453V0	GN9116O1
25	38	10	11	13	3.5	FU0288F0	GN6453V0	GN9116O1
25	40	9	10	12	4	FU0291F0	GN6591V0	GN9800O0
25	40	10	11	13	4	FU0292F0	GN6591V0	GN9800O0
27	40	10	11	14	4	FU2130F0	GN6455V0	GN9118O1
28	38	6	7	10	4	※FU0322F0	GN7268V0	GN9835O0
28	38	8	9	12	4	FU0323F0	GN7268V0	GN9835O0
28	41	8	9	12	4	FU0334F0	GN6458V0	GN9121O1
28	41	10	11	14	4	FU0335F0	GN6458V0	GN9121O1
28	43	9	10	13	4	FU0339F0	GN0791V0	GN9836O0
28	43	10	11	14	4	FU0340F0	GN0791V0	GN9836O0
30	40	8	9	12	4	FU0359F0	GN6361V0	GN9122O1
30	43	10	11	14	4	FU0364F0	GN6459V0	GN9123O1
30	45	9	10	13	4	FU0367F0	GN7061V0	GN9801O0
30	45	10	11	14	4	FU0368F0	GN7061V0	GN9801O0
31.5	41.5	8	9	12	4	FU0383F0	GN6460V0	GN9124O1
31.5	44.5	8	9	12	4	FU0384F0	GN6461V0	GN9125O1
31.5	44.5	10	11	14	4	FU0385F0	GN6461V0	GN9125O1
31.5	46.5	9	10	13	4	FU0386F0	GN0805V0	GN9837O0
31.5	46.5	10	11	14	4	FU0387F0	GN0805V0	GN9837O0
34	50	12	13	16	4	FU0408F0	GN6462V0	GN9126O1
35	45	8	9	12	4	FU0427F0	GN6463V0	GN9127O1
35	50	9	10	13	4	FU0436F0	GN0816V0	GN9128O1
35	50	10	11	14	4	FU0437F0	GN0816V0	GN9128O1
35	50	12	13	16	4	FU0438F0	GN0816V0	GN9128O1
35.5	45.5	8	9	12	4	FU0453F0	GN7271V0	GN9788O1
35.5	50.5	9	10	13	4	FU0455F0	GN0820V0	GN9954O0
35.5	50.5	10	11	14	4	FU0456F0	GN0820V0	GN9954O0
35.5	51.5	10	11	14	4	FU0457F0	GN6330V0	GN9130O1
35.5	51.5	12	13	16	4	FU0458F0	GN6330V0	GN9130O1

※ The resisting pressure limit applies to the ISI type.



Nominal Size of Packing, and Housing dimensions						Packing Part Number	Combination Backup Ring Part Number	
d	D	h	H <sub>A</sub>	H <sub>B</sub>	C		BRT3 (Endless)	BRN3 (Endless)
							19YF	80NP
40	50	8	9	12	4	FU0498F0	GN6465V0	GN9131O1
40	55	9	10	13	4	FU0504F0	GN6759V0	GN9948O0
40	55	10	11	14	4	FU0505F0	GN6759V0	GN9948O0
40	56	10	11	14	4	FU0508F0	GN6466V0	GN9132O1
40	56	12	13	16	4	FU0509F0	GN6466V0	GN9132O1
45	55	8	9	12	4	FU0569F0	GN6467V0	GN9133O1
45	60	9	10	13	4	FU0575F0	GN0845V0	GN9950O0
45	60	10	11	14	4	FU0577F0	GN0845V0	GN9950O0
45	61	10	11	14	4	FU0579F0	GN6469V0	GN9135O1
45	61	12	13	16	4	FU0580F0	GN6469V0	GN9135O1
47	63	12	13	16	4	FU0591F0	GN6471V0	GN9137O1
50	60	8	9	12	4	FU0620F0	GN6302V0	GN9138O1
50	65	9	10	13	4	FU0630F0	GN6439V0	GN9952O0
50	65	10	11	14	4	FU0631F0	GN6439V0	GN9952O0
50	66	10	11	14	4	FU0634F0	GN6329V0	GN9139O1
50	66	12	13	16	4	FU0635F0	GN6329V0	GN9139O1
50	70	12	13	16	4	FU0639F0	GN6592V0	GN9529O0
53	69	12	13	16	4	FU0682F0	GN7008V0	GN9803O0
55	65	8	9	12	4	FU0696F0	GN6472V0	GN9141O1
55	70	9	10	13	4	FU0700F0	GN6408V0	GN9804O0
55	70	10	11	14	4	FU0701F0	GN6408V0	GN9804O0
55	71	10	11	14	4	FU0703F0	GN6473V0	GN9142O1
55	71	12	13	16	4	FU0704F0	GN6473V0	GN9142O1
55	75	12	13	16	4	FU0708F0	GN7249V0	GN9807O0
56	66	8	9	12	4	FU0723F0	GN6474V0	GN9143O1
56	71	9	10	13	4	FU0724F0	GN7247V0	GN9806O0
56	71	10	11	14	4	FU0725F0	GN7247V0	GN9806O0
56	72	10	11	14	4	FU0726F0	GN7009V0	GN9838O0
56	72	12	13	16	4	FU0727F0	GN7009V0	GN9838O0
56	76	12	13	16	4	FU0728F0	GN0877V0	GN9839O0
60	70	8	9	12	4	FU0747F0	GN6444V0	GN9144O1
60	75	9	10	13	4	FU0753F0	GN6363V0	GN9808O0
60	75	10	11	14	4	FU0754F0	GN6363V0	GN9808O0
60	76	10	11	14	4	FU0756F0	GN6476V0	GN9146O1
60	76	12	13	16	4	FU0757F0	GN6476V0	GN9146O1
60	80	12	13	16	4	FU0761F0	GN0886V1	GN9953O0
63	73	8	9	12	4	FU0787F0	GN6477V0	GN9147O1
63	78	9	10	13	4	FU0788F0	GN6304V0	GN9840O0
63	78	10	11	14	4	FU0789F0	GN6304V0	GN9840O0
63	79	10	11	14	4	FU0790F0	GN7010V0	GN9841O0
63	79	12	13	16	4	FU0791F0	GN7010V0	GN9841O0
63	83	12	13	16	4	FU0793F0	GN0893V1	GN9842O0

E DIMENSION IDI

## HOW TO DETERMINE B DIMENSION

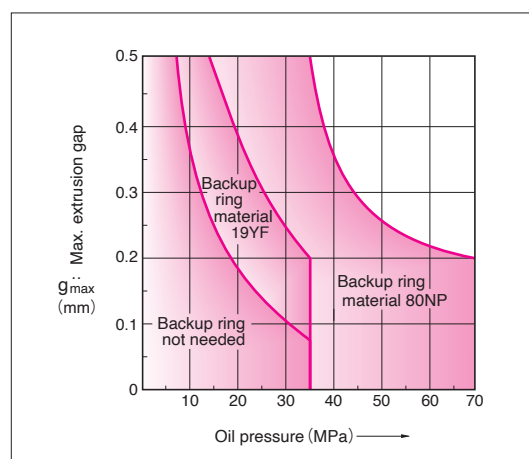
### ■ When using backup ring

Please determine B dimension according to the table below. If you require smaller B dimension because of the cylinder configuration, please consult NOK.

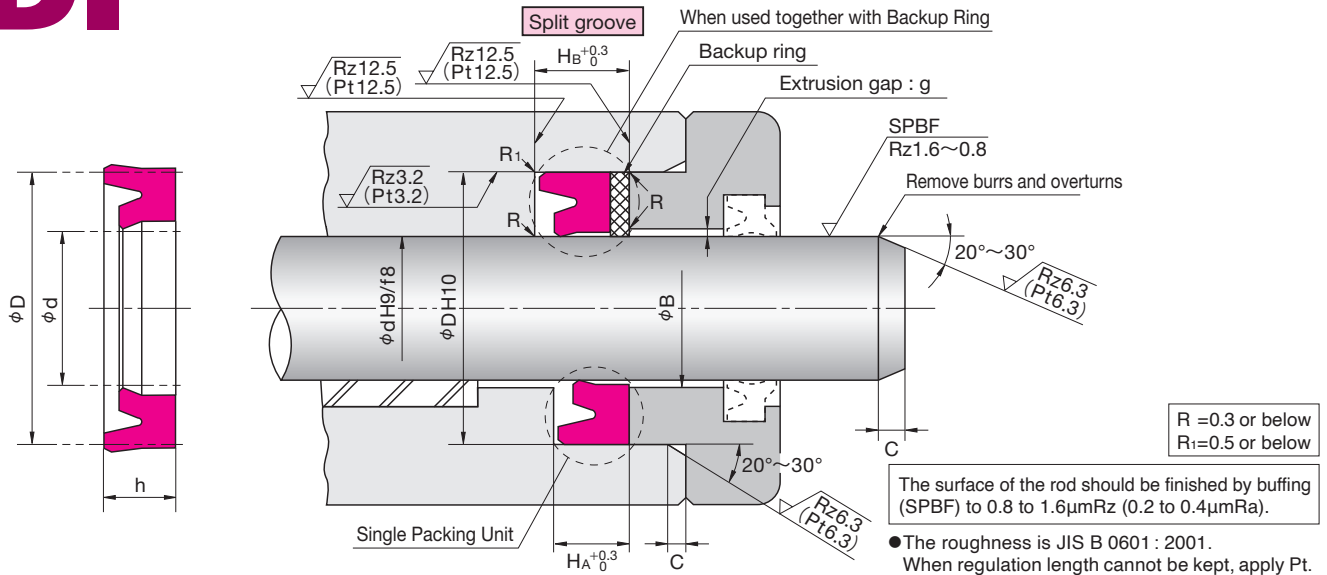
Maximum Service Pressure	14MPa	21MPa	35MPa
Material of Backup ring	19YF		
B Dimension	$B \leq \phi d + 1.0$	$B \leq \phi d + 0.5$	$B \leq \phi d + 0.2$
Maximum Service Pressure	35MPa	42MPa	70MPa
Material of Backup ring	80NP		
B Dimension	$B \leq \phi d + 0.8$	$B \leq \phi d + 0.4$	$B \leq \phi d + 0.2$

### ■ When not using backup ring

To determine B dimension, please refer to the graph in the right for the maximum extrusion gap (one side) considering the eccentricity of operating condition of the piston.



Nominal Size of Packing, and Housing dimensions						Packing Part Number	Combination Backup Ring Part Number	
d	D	h	H <sub>A</sub>	H <sub>B</sub>	C		BRT3 (Endless)	BRN3 (Endless)
							19YF	80NP
64	80	12	13	16	4	FU2131F0	GN6478V0	GN9148O1
65	75	8	9	12	5	FU0810F0	GN6479V0	GN9149O1
65	80	9	10	13	5	FU0815F0	GN6364V0	GN9754O1
65	80	12	13	16	5	FU0816F0	GN6364V0	GN9754O1
65	85	12	13	16	5	FU0819F0	GN0899V0	GN9810O0
67	82	9	10	13	5	FU0830F0	GN7273V0	GN9843O0
67	87	15	16	19	5	FU0832F0	GN0904V0	GN9844O0
70	80	8	9	12	5	FU0850F0	GN6362V1	GN9092O1
70	85	9	10	13	5	FU0857F0	GN6442V0	GN9411O0
70	85	10	11	14	5	FU0858F0	GN6442V0	GN9411O0
70	90	12	13	16	5	FU0862F0	GN0910V0	GN9151O1
70	90	15	16	19	5	FU0864F0	GN0910V0	GN9151O1
71	81	8	9	12	5	FU0881F0	GN6482V0	GN9153O1
71	86	9	10	13	5	FU0882F0	GN6603V0	GN9845O0
71	86	10	11	14	5	FU0883F0	GN6603V0	GN9845O0
71	91	12	13	16	5	FU0884F0	GN0914V0	GN9846O0
71	91	15	16	19	5	FU0885F0	GN0914V0	GN9846O0
75	85	8	9	12	5	FU0903F0	GN6729V0	GN9241O1
75	90	9	10	13	5	FU0906F0	GN6443V0	GN9757O1
75	90	10	11	14	5	FU0907F0	GN6443V0	GN9757O1
75	95	12	13	16	5	FU0910F0	GN0920V0	GN9154O1
75	95	15	16	19	5	FU0911F0	GN0920V0	GN9154O1
80	90	8	9	12	5	FU0940F0	GN6483V0	GN9155O1
80	95	9	10	13	5	FU0942F0	GN6898V0	GN9582O0
80	95	10	11	14	5	FU0943F0	GN6898V0	GN9582O0
80	100	12	13	16	5	FU0948F0	GN0927V0	GN9156O1
80	100	15	16	19	5	FU0949F0	GN0927V0	GN9156O1
85	100	10	11	14	5	FU0985F0	GN6484V0	GN9091O1
85	105	12	13	16	5	FU0989F0	GN0932V0	GN9157O1
85	105	15	16	19	5	FU0990F0	GN0932V0	GN9157O1
90	105	10	11	14	5	FU1025F0	GN6485V0	GN9158O1
90	110	12	13	16	5	FU1030F1	GN0939V0	GN9159O1
90	110	15	16	19	5	FU1031F0	GN0939V0	GN9159O1
95	110	10	11	14	5	FU1052F0	GN6486V0	GN9160O1
95	115	12	13	16	5	FU1056F0	GN0945V0	GN9161O1
95	115	15	16	19	5	FU1057F0	GN0945V0	GN9161O1



Nominal Size of Packing, and Housing dimensions						Packing Part Number	Combination Backup Ring Part Number	
d	D	h	H <sub>A</sub>	H <sub>B</sub>	C		BRT3 (Endless)	BRN3 (Endless)
							19YF	80NP
100	115	10	11	14	5	FU1083F0	GN6488V0	GN9163O1
100	120	12	13	16	5	FU1089F0	GN0952V0	GN9164O1
100	120	15	16	19	5	FU1091F0	GN0952V0	GN9164O1
105	120	10	11	14	5	FU1126F0	GN6684V0	GN9589O1
105	125	15	16	19	5	FU1129F0	GN0959V0	GN9165O1
105	125	16	17	20	5	FU1130F0	GN0959V0	GN9165O1
106	121	10	11	14	5	FU1137F0	GN7274V0	GN9789O1
106	126	15	16	19	5	FU1138F0	GN0961V0	GN9847O0
106	126	16	17	20	5	FU1139F0	GN0961V0	GN9847O0
110	125	10	11	14	5	FU1158F0	GN6761V0	GN9430O1
110	130	15	16	19	5	FU1165F0	GN6790V0	GN9694O0
110	130	16	17	20	5	FU1166F0	GN6790V0	GN9694O0
112	127	9	10	13	5	FU1180F0	GN7275V0	GN9848O0
112	127	10	11	14	5	FU1181F0	GN7275V0	GN9848O0
112	132	15	16	19	5	FU1182F0	GN0970V0	GN9168O1
112	132	16	17	20	5	FU1183F0	GN0970V0	GN9168O1
118	133	10	11	14	5	FU1206F0	GN7276V0	GN9790O1
118	138	15	16	19	5	FU1207F0	GN0978V0	GN9849O0
118	138	16	17	20	5	FU1208F0	GN0978V0	GN9849O0
120	135	10	11	14	5	FU1221F0	GN6374V0	GN9768O0
120	140	15	16	19	5	FU1224F0	GN0982V0	GN9169O1
120	140	16	17	20	5	FU1225F0	GN0982V0	GN9169O1
125	140	10	11	14	6.5	FU1253F0	GN6491V0	GN9170O1
125	145	12	13	16	6.5	FU1256F0	GN0986V0	GN9850O0
125	145	16	17	20	6.5	FU1258F0	GN0986V0	GN9850O0
125	150	19	20	23	6.5	FU2132F0	GN6135V0	GN9171O1
125	150	20	21	24	6.5	FU1260F0	GN6135V0	GN9171O1
130	145	10	11	14	6.5	FU1281F0	GN6954V0	GN9742O0
130	150	12	13	16	6.5	FU1283F0	GN6925V0	GN9335O1
130	150	16	17	20	6.5	FU1285F0	GN6925V0	GN9335O1
132	157	20	21	24	6.5	FU1295F0	GN7013V0	GN9813O0
135	160	19	20	23	6.5	FU2133F0	GN6492V0	GN9172O1
135	160	20	21	24	6.5	FU2179F0	GN6492V0	GN9172O1
140	155	10	11	14	6.5	FU1324F0	GN6728V1	GN9410O1
140	160	12	13	16	6.5	FU1325F0	GN1002V0	GN9668O0
140	160	16	17	20	6.5	FU1328F0	GN1002V0	GN9668O0
140	165	19	20	23	6.5	FU1332F0	GN6494V0	GN9174O1
140	165	20	21	24	6.5	FU1333F0	GN6494V0	GN9174O1
145	170	19	20	23	6.5	FU2134F0	GN6496V0	GN9176O1
145	170	20	21	24	6.5	FU2180F0	GN6496V0	GN9176O1

E DIMENSION IDI



## HOW TO DETERMINE B DIMENSION

### ■ When using backup ring

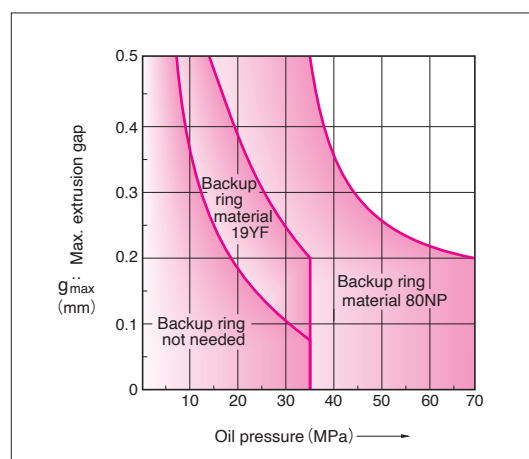
Please determine B dimension according to the table below. If you require smaller B dimension because of the cylinder configuration, please consult NOK.

Maximum Service Pressure	14MPa	21MPa	35MPa
Material of Backup ring	19YF		
B Dimension	$B \leq \phi d + 1.0$	$B \leq \phi d + 0.5$	$B \leq \phi d + 0.2$

Maximum Service Pressure	35MPa	42MPa	70MPa
Material of Backup ring	80NP		
B Dimension	$B \leq \phi d + 0.8$	$B \leq \phi d + 0.4$	$B \leq \phi d + 0.2$

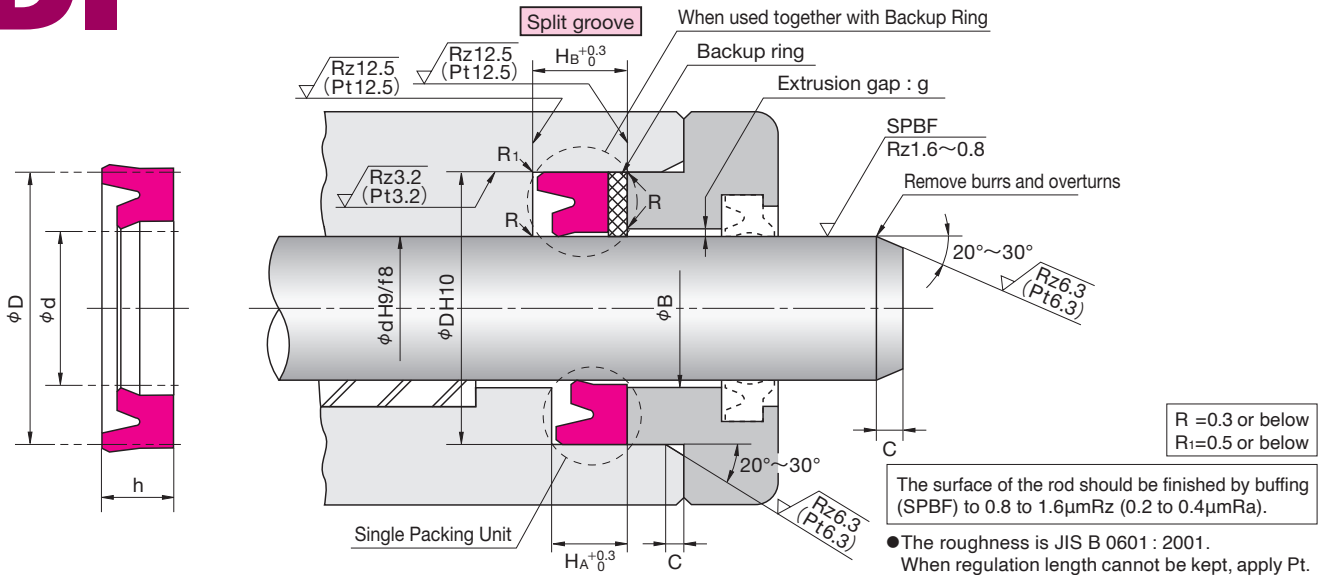
### ■ When not using backup ring

To determine B dimension, please refer to the graph in the right for the maximum extrusion gap (one side) considering the eccentricity of operating condition of the piston.



Nominal Size of Packing, and Housing dimensions						Packing Part Number	Combination Backup Ring Part Number	
d	D	h	H <sub>A</sub>	H <sub>B</sub>	C		BRT3 (Endless)	BRN3 (Endless)
							19YF	80NP
150	165	10	11	14	6.5	FU1360F0	GN6497V0	GN9177O1
150	170	12	13	16	6.5	FU1361F0	GN1011V0	GN9672O1
150	170	16	17	20	6.5	FU1364F0	GN1011V0	GN9672O1
150	175	16	17	20	6.5	FU1366F0	GN7014V0	GN9645O1
150	175	20	21	24	6.5	FU1368F0	GN7014V0	GN9645O1
155	180	19	20	24	6.5	FU1393F0	GN1016V0	GN9179O1
155	180	20	21	25	6.5	FU2181F0	GN1016V0	GN9179O1
160	175	10	11	15	6.5	FU1407F0	GN6499V0	GN9180O1
160	180	12	13	17	6.5	FU1409F0	GN6905V0	GN9814O0
160	180	16	17	21	6.5	FU1412F0	GN6905V0	GN9814O0
160	185	16	17	21	6.5	FU1414F0	GN1020V0	GN9181O1
160	185	19	20	24	6.5	FU2076F0	GN1020V0	GN9181O1
160	185	20	21	25	6.5	FU1416F0	GN1020V0	GN9181O1
170	185	10	11	15	6.5	FU1444F0	GN7064V0	GN9791O1
170	190	12	13	17	6.5	FU1445F0	GN6985V0	GN9816O0
170	190	16	17	21	6.5	FU1447F0	GN6985V0	GN9816O0
170	195	16	17	21	6.5	FU1449F0	GN1027V0	GN9852O0
170	195	20	21	25	6.5	FU1450F0	GN1027V0	GN9852O0
175	200	19	20	24	6.5	FU1463F0	GN1031V0	GN9186O1
175	200	20	21	25	6.5	FU2182F0	GN1031V0	GN9186O1
180	200	16	17	21	6.5	FU1486F0	GN6372V0	GN9187O1
180	205	16	17	21	6.5	FU1491F0	GN1035V0	GN9188O1
180	205	19	20	24	6.5	FU1492F0	GN1035V0	GN9188O1
180	205	20	21	25	6.5	FU1493F0	GN1035V0	GN9188O1
190	210	16	17	21	6.5	FU1518F0	GN6505V0	GN9190O1
190	215	16	17	21	6.5	FU1520F0	GN1042V0	GN9818O0
190	215	20	21	25	6.5	FU1521F0	GN1042V0	GN9818O0
199	219	11	12	16	6.5	FU1530F0	GN7279V0	GN9853O0
199	219	15	16	20	6.5	FU1531F0	GN7279V0	GN9853O0
199	224	16	17	21	6.5	FU1533F0	GN1047V0	GN9820O0
199	224	19	20	24	6.5	FU1535F0	GN1047V0	GN9820O0
200	220	16	17	21	6.5	FU1545F0	GN6276V0	GN9191O1
200	225	16	17	21	6.5	FU1548F0	GN1050V0	GN9192O1
200	225	19	20	24	6.5	FU2135F0	GN1050V0	GN9192O1
200	225	20	21	25	6.5	FU1550F0	GN1050V0	GN9192O1
210	230	16	17	21	6.5	FU1576F0	GN6352V0	GN9195O1
210	235	16	17	21	6.5	FU1578F0	GN1057V0	GN9854O0
210	235	19	20	24	6.5	FU1580F0	GN1057V0	GN9854O0
210	235	20	21	25	6.5	FU1581F0	GN1057V0	GN9854O0
220	240	16	17	21	6.5	FU1597F0	GN6508V0	GN9196O1
220	245	16	17	21	6.5	FU1598F0	GN1063V0	GN9670O0
220	245	19	20	24	6.5	FU1600F0	GN1063V0	GN9670O0
220	245	20	21	25	6.5	FU1601F0	GN1063V0	GN9670O0

# IDI TYPE SPECIAL PACKINGS FOR ROD SEALS



Nominal Size of Packing, and Housing dimensions						Packing Part Number	Combination Backup Ring Part Number	
d	D	h	H <sub>A</sub>	H <sub>B</sub>	C		BRT3 (Endless) 19YF	BRN3 (Endless) 80NP
224	244	11	12	16	6.5	FU1608F0	GN7281V0	GN9855O0
224	244	15	16	20	6.5	FU1610F0	GN7281V0	GN9855O0
224	249	15	16	20	6.5	FU1611F0	GN7282V0	GN9856O0
224	249	18	19	23	6.5	FU1612F0	GN7282V0	GN9856O0
224	249	19	20	24	6.5	FU1613F0	GN7282V0	GN9856O0
225	245	16	17	21	6.5	FU1622F0	GN6509V0	GN9197O1
225	250	16	17	21	6.5	FU1624F0	GN1065V0	GN9045O1
225	250	19	20	24	6.5	FU1626F0	GN1065V0	GN9045O1
225	250	20	21	25	6.5	FU1627F0	GN1065V0	GN9045O1
230	250	16	17	21	6.5	FU1638F0	GN6510V0	GN9047O1
230	255	16	17	21	6.5	FU1640F0	GN1069V0	GN9857O0
230	255	19	20	24	6.5	FU1642F0	GN1069V0	GN9857O0
230	255	20	21	25	6.5	FU1643F0	GN1069V0	GN9857O0
240	260	16	17	21	6.5	FU1658F0	GN6511V0	GN9198O1
240	265	16	17	21	6.5	FU1661F0	GN1073V0	GN9858O0
240	265	19	20	24	6.5	FU1663F0	GN1073V0	GN9858O0
240	265	20	21	25	6.5	FU1664F0	GN1073V0	GN9858O0
250	270	16	17	21	6.5	FU1679F0	GN6512V0	GN9199O1
250	275	16	17	21	6.5	FU1681F0	GN1078V0	GN9200O1
250	275	19	20	24	6.5	FU1683F0	GN1078V0	GN9200O1
250	275	20	21	25	6.5	FU1684F0	GN1078V0	GN9200O1
260	285	19	20	24	8	FU1705F0	GN6514V0	GN9202O1
260	290	19	20	24	8	FU1707F0	GN1083V0	GN9431O1
265	297	24	25	29	8	FU1714F0	GN6515V0	GN9204O1
265	297	25	26	30	8	FU2183F0	GN6515V0	GN9204O1
270	295	19	20	24	8	FU1721F0	GN6516V0	GN9205O1
270	300	19	20	24	8	FU1723F0	GN1089V0	GN9206O1
270	300	24	25	29	8	FU1725F0	GN1089V0	GN9206O1
270	300	25	26	30	8	FU1726F0	GN1089V0	GN9206O1
280	305	19	20	24	8	FU1734F0	GN6518V0	GN9208O1
280	310	19	20	24	8	FU1736F0	GN1093V0	GN9859O0
280	312	24	25	29	8	FU2136F0	GN6519V0	GN9209O1
280	312	25	26	30	8	FU2184F0	GN6519V0	GN9209O1
290	315	19	20	24	8	FU1749F0	GN6520V0	GN9210O1
290	320	19	20	24	8	FU1751F0	GN1098V0	GN9860O0
300	325	19	20	24	8	FU1763F0	GN6521V0	GN9211O1
300	330	19	20	24	8	FU1765F0	GN1103V0	GN9235O1
300	332	24	25	29	8	FU2137F0	GN6522V0	GN9212O1
300	332	25	26	30	8	FU2185F0	GN6522V0	GN9212O1

E DIMENSION IDI



# ISI TYPE

## SPECIAL PACKINGS FOR ROD SEALS IRON RUBBER (PUR)



● Please designate NOK Part number and type & size on your order.

(Example) Order for the packing as a single piece

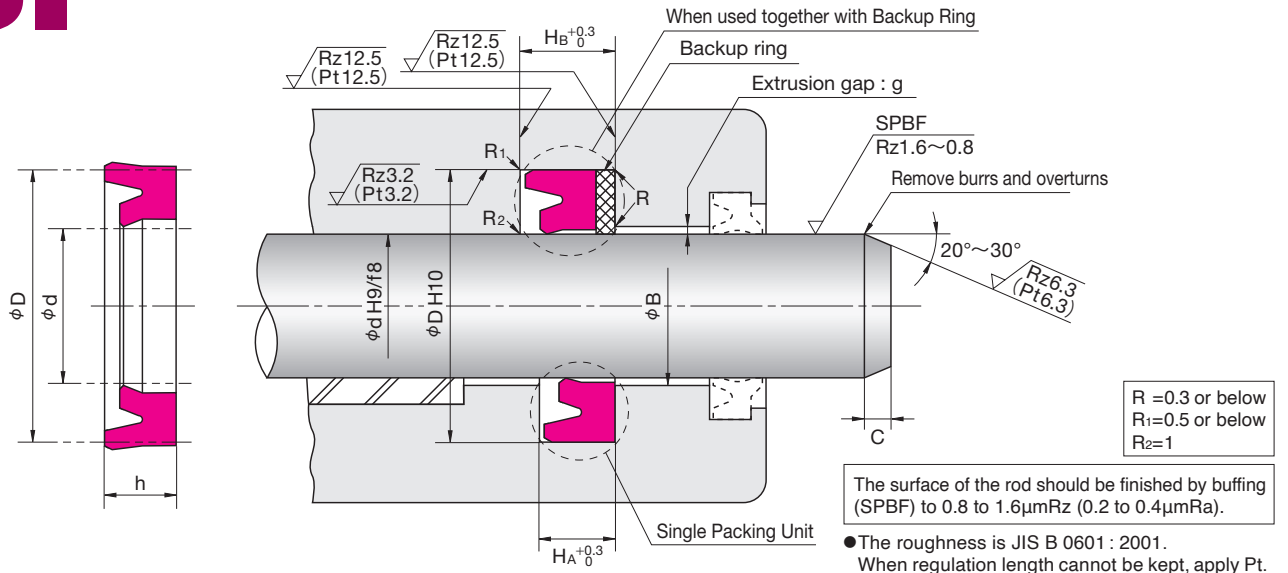
· Type Dimensions	ISI	18	26	5	
	└─ Type Sign		└─ Nominal Size of Packing described in order of inner diameter(d), outer diameter(D), and height(h)		
· Part Number	FU0180K0				

※ When placing orders for backup rings used in combination with packing, designate the NOK part number and the model size.

· Type Dimensions	BRT2	18	26	2	
	└─ Type Sign		└─ Nominal Size of Backup ring described in order of inner diameter(d), outer diameter(D), and thickness(t)*		
· Part Number	GN4778V0				*t = H <sub>B</sub> - H <sub>A</sub> (Housing dimensions)

● Please check the application range on pages 14 and 15 before selecting the type.

<b>Material</b>	Standard : NOK U801 Heat resistant type : NOK U641
-----------------	---



Nominal Size of Packing, and Housing dimensions						Packing Part Number		Combination Backup Ring Part Number	
d	D	h	H <sub>A</sub>	H <sub>B</sub>	C	Standard (U801)	Heat resistant (U641)	BRT2 (Biascut) 19YF	BRN2 (Biascut) 80NP
18	26	5	5.7	7.7	2	FU0180K0	FU0180K2	GN4778V0	GN9106O0
20	28	5	5.7	7.7	2	FU0212K0	FU0212K1	GN4780V0	GN9108O0
22.4	30	5	5.7	7.7	2	FU0260K0	FU0260K1	GN4784V0	GN9112O0
22.4	30.4	5	5.7	7.7	2	FU0261K0	FU0261K1	GN5714V0	GN9785O0
23.5	31.5	5	5.7	7.7	2	FU0267K0	FU0267K1	GN4786V0	GN9114O0
25	33	5	5.7	7.7	2.5	FU0276K0	FU0276K2	GN5019V1	GN9786O0
25	35	5	5.7	7.7	2.5	FU0278K0	FU0278K2	GN4787V0	GN9115O0
28	35.5	5	5.7	8.7	2.5	FU0320K0	FU0320K1	GN4791V0	GN9119O0
28	36	5	5.7	8.7	2.5	FU0321K0	FU0321K1	GN5715V0	GN9787O0
30	40	6	7	10	2.5	FU0357K0	FU0357K3	GN4794V0	GN9122O0
31.5	41.5	6	7	10	2.5	FU0382K0	FU0382K1	GN4796V0	GN9124O0
35	45	6	7	10	2.5	FU0424K0	FU0424K7	GN4799V0	GN9127O0
35.5	45	6	7	10	2.5	FU0451K0	FU0451K1	GN4801V0	GN9129O0
35.5	45.5	6	7	10	2.5	FU0452K0	FU0452K1	GN5716V0	GN9788O0
36	46	6	7	10	2.5	FU2921K1	FU2921K0	GN5733V0	GN3033O0
40	50	6	7	10	2.5	FU0497K0	FU0497K5	GN4050V0	GN9131O0
45	55	6	7	10	2.5	FU0567K0	FU0567K6	GN4804V0	GN9133O0
45	56	7	8	11	2.5	FU0572K0	FU0572K1	GN4805V0	GN9134O0
50	60	6	7	10	2.5	FU0619K0	FU0619K3	GN4335V0	GN9138O0
53	63	6	7	10	2.5	FU0679K0	FU0679K2	GN4693V0	GN9140O0
55	65	6	7	10	2.5	FU0694K0	FU0694K2	GN4810V0	GN9141O0
56	66	6	7	10	2.5	FU0722K0	FU0722K1	GN4766V0	GN9143O0
60	70	6	7	10	2.5	FU0746K0	FU0746K5	GN4676V0	GN9144O0
60	71	7	8	11	2.5	FU0750K0	FU0750K1	GN4812V0	GN9145O0
63	73	6	7	10	2.5	FU0786K0	FU0786K3	GN4814V0	GN9147O0
65	75	6	7	10	2.5	FU0809K0	FU0809K1	GN4816V0	GN9149O0
67	77	6	7	10	2.5	FU0828K0	FU0828K1	GN4697V0	GN9150O0
70	80	6	7	10	2.5	FU0849K0	FU0849K5	GN4651V0	GN9092O0
71	81	6	7	10	2.5	FU0880K0	FU0880K1	GN4819V0	GN9153O0
75	85	6	7	10	2.5	FU0901K0	FU0901K1	GN4692V0	GN9241O0
80	90	6	7	10	2.5	FU0939K0	FU0939K1	GN4820V0	GN9155O0
85	100	9	10	13	4	FU0984K0	FU0984K2	GN4687V0	GN9091O0
90	105	9	10	13	4	FU1024K0	FU1024K3	GN4698V0	GN9158O0
95	110	9	10	13	4	FU1051K0	FU1051K2	GN4822V0	GN9160O0
98	112	8.5	9.5	12.5	4	FU1067K0	FU1067K1	GN4824V0	GN9162O0
100	115	9	10	13	4	FU1082K0	FU1082K1	GN4512V0	GN9163O0
105	120	9	10	13	4	FU1125K0	FU1125K1	GN5198V0	GN9589O0
106	120	8.5	9.5	12.5	4	FU1135K0	FU1135K1	GN4826V0	GN9166O0
106	121	9	10	13	4	FU1136K0	FU1136K1	GN5717V0	GN9789O0
110	125	9	10	13	4	FU1157K0	FU1157K2	GN4480V0	GN9430O0
112	125	9	10	13	4	FU1179K0	FU1179K1	GN4827V0	GN9167O0
115	130	9	10	13	4	FU1195K1	FU1195K2	GN4593V0	GN9274O0

## HOW TO DETERMINE B DIMENSION

### ■ When using backup ring

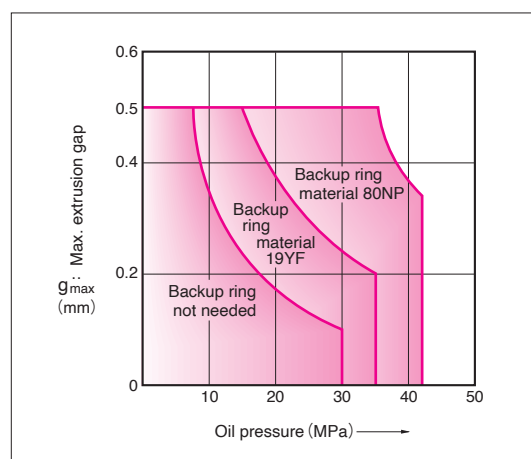
Please determine B dimension according to the table below. If you require smaller B dimension because of the cylinder configuration, please consult NOK.

Maximum Service Pressure	14MPa	21MPa	35MPa
Material of Backup ring	19YF		
B Dimension	$B \leq \phi d + 1.0$	$B \leq \phi d + 0.5$	$B \leq \phi d + 0.2$

Maximum Service Pressure	35MPa	42MPa
Material of Backup ring	80NP	
B Dimension	$B \leq \phi d + 0.8$	$B \leq \phi d + 0.4$

### ■ When not using backup ring

To determine B dimension, please refer to the graph in the right for the maximum extrusion gap (one side) considering the eccentricity of operating condition of the piston.



Nominal Size of Packing, and Housing dimensions						Packing Part Number		Combination Backup Ring Part Number	
d	D	h	H <sub>A</sub>	H <sub>B</sub>	C	Standard (U801)	Heat resistant (U641)	BRT2 (Biascut) 19YF	BRN2 (Biascut) 80NP
118	133	9	10	13	4	FU1205K0	FU1205K1	GN5718V0	GN9790O0
120	135	9	10	13	4	FU1220K0	FU1220K1	GN5036V0	GN9679O0
125	140	9	10	13	4	FU1252K0	FU1252K1	GN4481V0	GN9170O0
130	145	9	10	13	4	FU1280K0	FU1280K1	GN4628V1	GN9742O1
136	150	8.5	9.5	12.5	4	FU1306K0	FU1306K1	GN4830V0	GN9173O0
140	155	9	10	13	4	FU1323K0	FU1323K2	GN4526V0	GN9410O0
145	160	9	10	13	4	FU1343K0	FU1343K1	GN4551V0	GN9175O0
150	165	9	10	13	4	FU1359K0	FU1359K1	GN4833V0	GN9177O0
155	170	9	10	14	4	FU1388K0	FU1388K2	GN4834V0	GN9178O0
160	175	9	10	14	4	FU1406K0	FU1406K1	GN4835V0	GN9180O0
165	180	9	10	14	4	FU1429K0	FU1429K1	GN4836V0	GN9182O0
170	185	9	10	14	4	FU1443K0	FU1443K2	GN5464V0	GN9791O0
175	190	9	10	14	4	FU1459K0	FU1459K1	GN4839V0	GN9185O0
180	200	12	13	17	5	FU1483K0	FU1483K1	GN4470V0	GN9187O0
190	210	12	13	17	5	FU1516K0	FU1516K1	GN4841V0	GN9190O0
200	220	12	13	17	5	FU1543K0	FU1543K1	GN4385V0	GN9191O0
204	224	12	13	17	5	FU1563K0	FU1563K1	GN4842V0	GN9193O0
210	230	12	13	17	5	FU1575K0	FU1575K1	GN4627V0	GN9195O0
220	240	12	13	17	5	FU1596K0	FU1596K1	GN4444V0	GN9196O0
225	245	12	13	17	5	FU1621K0	FU1621K1	GN4844V0	GN9197O0
230	250	12	13	17	5	FU1637K0	FU1637K1	GN4635V0	GN9047O0
240	260	12	13	17	5	FU1657K0	FU1657K1	GN4845V0	GN9198O0
250	270	12	13	17	5	FU1678K0	FU1678K1	GN4459V0	GN9199O0
260	285	16	17	21	6.5	FU1704K0	FU1704K1	GN4847V0	GN9202O0
270	295	16	17	21	6.5	FU1720K0	FU1720K1	GN4850V0	GN9205O0
280	305	16	17	21	6.5	FU1733K0	FU1733K1	GN4410V0	GN9208O0
290	315	16	17	21	6.5	FU1748K0	FU1748K1	GN4854V0	GN9210O0
300	325	16	17	21	6.5	FU1762K0	FU1762K1	GN4855V0	GN9211O0

# IUIS TYPE

## SPECIAL PACKINGS FOR ROD SEALS IRON RUBBER (PUR)



● Please designate NOK Part number and type & size on your order.

(Example) Order for the packing as a single piece

• Type Dimensions	<u>IUIS</u>	<u>18</u>	<u>26</u>	<u>5</u>	
	└─ Type Sign	└─ Nominal Size of Packing described in order of inner diameter(d), outer diameter(D), and height(h)			
• Part Number	FU0180R0				

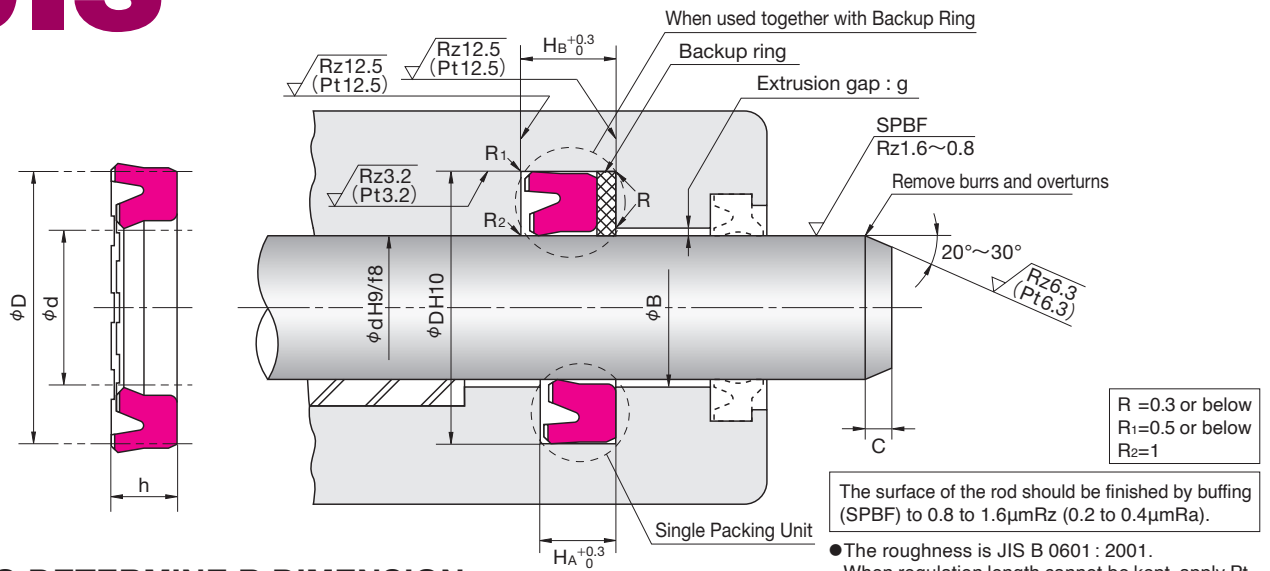
※ When placing orders for backup rings used in combination with packing, designate the NOK part number and the model size.

• Type Dimensions	<u>BRT2</u>	<u>18</u>	<u>26</u>	<u>2</u>	
	└─ Type Sign	└─ Nominal Size of Backup ring described in order of inner diameter(d), outer diameter(D), and thickness(t)*			
• Part Number	GN4778V0				*t = H <sub>B</sub> - H <sub>A</sub> (Housing dimensions)

● Please check the application range on pages 16 and 17 before selecting the type.

<b>Material</b>	Standard : NOK U801 Heat resistant type : NOK U641
-----------------	---

# IUIS TYPE SPECIAL PACKINGS FOR ROD SEALS (INSTALLED WITH INTERNAL GROOVE)



## HOW TO DETERMINE B DIMENSION

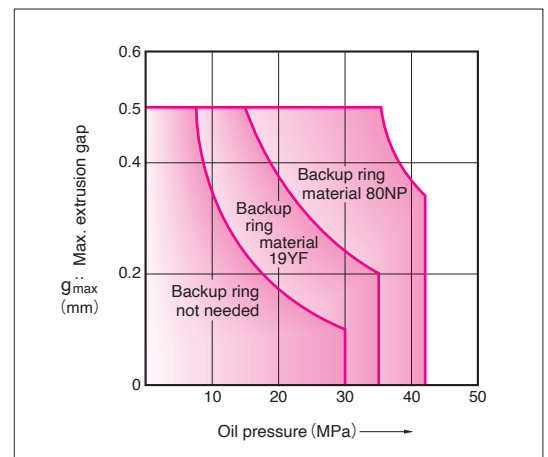
### When using backup ring

Please determine B dimension according to the table below. If you require smaller B dimension because of the cylinder configuration, please consult NOK.

Maximum Service Pressure	14MPa	21MPa	35MPa
Material of Backup ring	19YF		
B Dimension	$B \leq \phi d + 1.0$	$B \leq \phi d + 0.5$	$B \leq \phi d + 0.2$
Maximum Service Pressure	35MPa	42MPa	
Material of Backup ring	80NP		
B Dimension	$B \leq \phi d + 0.8$	$B \leq \phi d + 0.4$	

### When not using backup ring

To determine B dimension, please refer to the graph in the right for the maximum extrusion gap (one side) considering the eccentricity of operating condition of the piston.



Nominal Size of Packing, and Housing dimensions						Packing Part Number		Combination Backup Ring Part Number	
								BRT2 (Biascut)	BRN2 (Biascut)
d	D	h	H <sub>A</sub>	H <sub>B</sub>	C	Standard (U801)	Heat resistant (U641)	19YF	80NP
18	26	5	5.7	7.7	2	FU0180R0	FU0180R1	GN4778V0	GN910600
22.4	30	5	5.7	7.7	2	FU0260R0	FU0260R1	GN4784V0	GN911200
28	35.5	5	5.7	8.7	2.5	FU0320R0	FU0320R1	GN4791V0	GN911900
30	40	6	7	10	2.5	FU0357R0	FU0357R1	GN4794V0	GN912200
35	45	6	7	10	2.5	FU0424R1	FU0424R2	GN4799V0	GN912700
35.5	45	6	7	10	2.5	FU0451R0	FU0451R1	GN4801V0	GN912900
40	50	6	7	10	2.5	FU0497R0	FU0497R1	GN4050V0	GN913100
45	55	6	7	10	2.5	FU0567R1	FU0567R2	GN4804V0	GN913300
45	56	7	8	11	2.5	FU0572R0	FU0572R1	GN4805V0	GN913400
50	60	6	7	10	2.5	FU0619R0	FU0619R1	GN4335V0	GN913800
55	65	6	7	10	2.5	FU0694R1	FU0694R2	GN4810V0	GN914100
56	66	6	7	10	2.5	FU0722R0	FU0722R1	GN4766V0	GN914300
70	80	6	7	10	2.5	FU0849R1	FU0849R0	GN4651V0	GN909200
80	90	6	7	10	2.5	FU0939R0	FU0939R1	GN4820V0	GN915500
85	100	9	10	13	4	FU0984R0	FU0984R1	GN4687V0	GN909100
90	105	9	10	13	4	FU1024R0	FU1024R1	GN4698V0	GN915800
95	110	9	10	13	4	FU1051R0	FU1051R1	GN4822V0	GN916000
100	115	9	10	13	4	FU1082R0	FU1082R1	GN4512V0	GN916300
125	140	9	10	13	4	FU1252R0	FU1252R1	GN4481V0	GN917000
130	145	9	10	13	4	FU1280R1	FU1280R0	GN4628V1	GN974201
140	155	9	10	13	4	FU1323R0	FU1323R1	GN4526V0	GN941000
160	175	9	10	14	4	FU1406R0	FU1406R1	GN4835V0	GN918000
170	185	9	10	14	4	FU1443R2	FU1443R0	GN5464V0	GN979100
175	190	9	10	14	4	FU1459R1	FU1459R0	GN4839V0	GN918500
180	200	12	13	17	5	FU1483R0	FU1483R1	GN4470V0	GN918700





# IUH TYPE

## SPECIAL PACKINGS FOR ROD SEALS

NITRILE RUBBER (NBR) +  
HYDROGENATED NITRILE RUBBER (H-NBR)



● Please designate NOK Part number and type & size on your order.

(Example) Order for the packing as a single piece

· Type Dimensions	IUH	14	22	5	
	└─ Type Sign	└─ Nominal Size of Packing described in order of inner diameter(d), outer diameter(D), and height(h)			
· Part Number	CU2692N1				

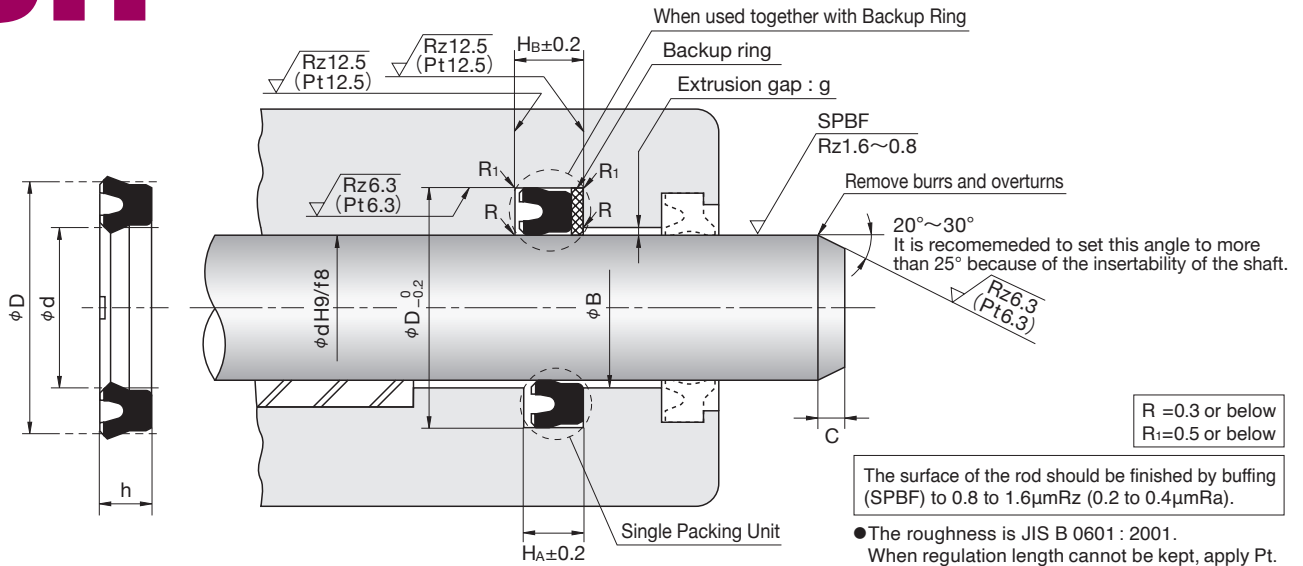
※ When placing orders for backup rings used in combination with packing, designate the NOK part number and the model size.

· Type Dimensions	BRT2	14	22	2	
	└─ Type Sign	└─ Nominal Size of Backup ring described in order of inner diameter(d), outer diameter(D), and thickness(t)*			
· Part Number	GN5719V0				*t = H <sub>B</sub> - H <sub>A</sub> (Housing dimensions)

● Please check the application range on pages 16 and 17 before selecting the type.

<b>Material</b>	Standard : NOK A505 Cold resistant type : NOK A567 Heat resistant type : NOK G928
-----------------	---

# IUH TYPE SPECIAL PACKINGS FOR ROD SEALS (INSTALLED WITH INTERNAL GROOVE)



Nominal Size of Packing, and Housing dimensions						Packing Part Number			Combination Backup Ring Part Number
d	D	h	H <sub>A</sub>	H <sub>B</sub>	C	Standard (A505)	Cold resistant (A567)	Heat resistant (G928)	BRT2 (Biascut) 19YF
14	22	5	5.7	7.7	2.5	● CU2692N1			GN5719V0
16	24	5	5.7	7.7	2.5	● CU2548N0			GN5720V0
18	26	5	5.7	7.7	2.5	CU0180N2			GN4778V0
20	28	5	5.7	7.7	2.5	CU0212N3	CU0212N5		GN4780V0
22.4	30	5	5.7	7.7	2.5	CU3488N0			GN4784V0
25	33	5	5.7	7.7	2.5	CU0276N3	CU0276N5		GN5019V1
28	35.5	5	5.7	8.7	2.5	CU0320N0			GN4791V0
30	40	6	7	10	3	CU0357N3	CU0357N5		GN4794V0
35	45	6	7	10	3	CU0424N3	CU0424N5		GN4799V0
35.5	45	6	7	10	3	CU0451N2			GN4801V0
36	46	6	7	10	3	CU3040N0			GN5733V0
40	50	6	7	10	3	CU0497N4	CU0497N6		GN4050V0
45	55	6	7	10	3	CU0567N4	CU0567N6		GN4804V0
45	56	7	8	11	3	CU0572N1			GN4805V0
50	60	6	7	10	3	CU0619N3	CU0619N5	CU0619N6	GN4335V0
53	63	6	7	10	3			CU0679N0	GN4693V0
55	65	6	7	10	3	CU0694N3	CU0694N5	CU0694N6	GN4810V0
56	66	6	7	10	3	CU0722N2			GN4766V0
60	70	6	7	10	3	CU0746N3	CU0746N6	CU0746N8	GN4676V0
63	73	6	7	10	3	CU0786N2			GN4814V0
65	75	6	7	10	3	CU0809N2	CU0809N4	CU0809N6	GN4816V0
65	80	9	10	13	4			CU3615N0	GN4549V0
67	77	6	7	10	3	CU0828N0			GN4697V0
70	80	6	7	10	4	CU0849N0		CU0849N2	GN4651V0
70	85	9	10	13	4	CU0857N2	CU0857N3	CU0857N4	GN4876V0
71	80	6	7	10	4	CU0879N0			GN4818V0
75	85	6	7	10	4	CU0901N4	CU0901N6	CU0901N8	GN4692V0
75	90	9	10	13	4	CU3090N2		CU3090N4	GN4971V0
80	90	6	7	10	4	CU0939N3	CU0939N4	CU0939N6	GN4820V0
80	95	9	10	13	4	CU3091N2		CU3091N4	GN5023V0
85	100	9	10	13	4	CU0984N1		CU0984N3	GN4687V0
85	105	12	13	16	5.5			CU0989N0	GN4821V0
90	105	9	10	13	4	CU1024N3	CU1024N5	CU1024N6	GN4698V0
90	110	12	13	16	5.5			CU1030N0	GN4109V0
95	110	9	10	13	4	CU1051N2	CU1051N5	CU1051N7	GN4822V0
95	115	12	13	16	5.5			CU1056N0	GN4823V0
100	115	9	10	13	4	CU1082N3	CU1082N5	CU1082N7	GN4512V0
100	120	12	13	16	5.5	CU1089N1		CU1089N2	GN4119V0
105	120	9	10	13	4	CU1125N1	CU1125N2	CU1125N4	GN5198V0
105	125	12	13	16	5.5	CU1128N0			GN4825V0
105	125	15	16	19	5.5			CU1129N0	GN4825V0

Remark 1) Since the mold is utilized, the part number and the product's engraved mark may be different.  
Remark 2) When using the packing with ●, provide separate grooves.

## HOW TO DETERMINE B DIMENSION

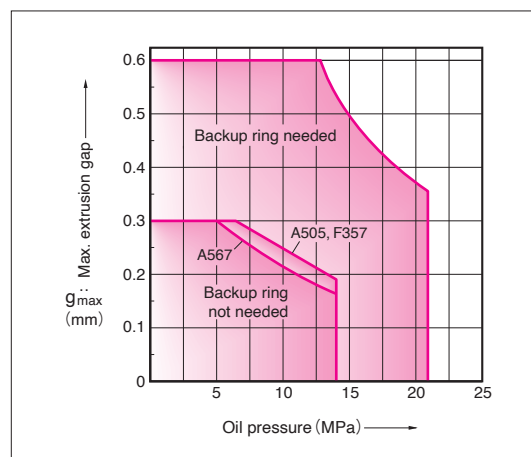
### ■ When using backup ring

Please determine B dimension according to the table below. If you require smaller B dimension because of the cylinder configuration, please consult NOK.

Maximum Service Pressure	14MPa	21MPa
Material of Backup ring	19YF	
B Dimension	$B \leq \phi d + 1.0$	$B \leq \phi d + 0.5$

### ■ When not using backup ring

To determine B dimension, please refer to the graph in the right for the maximum extrusion gap (one side) considering the eccentricity of operating condition of the piston.



Nominal Size of Packing, and Housing dimensions						Packing Part Number			Combination Backup Ring Part Number
d	D	h	H <sub>A</sub>	H <sub>B</sub>	C	Standard (A505)	Cold resistant (A567)	Heat resistant (G928)	BRT2 (Biascut) 19YF
110	125	9	10	13	4	CU1157N3	CU1157N5	CU1157N6	GN4480V0
110	130	15	16	19	5.5			CU1165N0	GN4280V1
112	125	8.5	9.5	12.5	4	CU1178N0			GN4827V0
115	130	9	10	13	4	CU1195N0	CU1195N1	CU1195N2	GN4593V0
115	135	16	17	20	5.5			CU1184N0	GN4574V0
120	135	9	10	13	4	CU1220N3	CU1220N2	CU1220N4	GN5036V0
120	140	15	16	19	5.5			CU1224N0	GN4132V0
125	140	9	10	13	4	CU1252N3	CU1252N5	CU01252-N7A	GN4481V0
130	145	9	10	13	4	CU1280N0	CU1280N1	CU1280N2	GN4628V1
130	150	16	17	20	5.5			CU2771N0	GN4142V0
135	150	9	10	13	4	CU2264N2	CU2264N0		GN5025V0
140	155	9	10	13	4	CU1323N2	CU1323N3	CU01323-N5A	GN4526V0
145	160	9	10	13	4	CU1343N0			GN4551V0
150	165	9	10	13	4	CU1359N2	CU1359N4	CU01359-N5A	GN4833V0
160	175	9	10	14	4	CU1406N1			GN4835V0
170	190	12	13	17	5.5	CU3494N1	CU3494N0	CU3494N2	GN4529V0
180	200	12	13	17	5.5	CU1483N2	CU1483N3		GN4470V0
190	215	16	17	21	7	CU3523N0	CU3523N2		GN4577V0
200	225	16	17	21	7	CU1548N1			GN4560V0
210	235	16	17	21	7	CU3640N0			GN5758V0
220	245	16	17	21	7	CU3630N0		CU3630N1	GN5754V0
240	265	19	20	24	7	CU3335N1			GN4428V1

Remark) The Part number and the one stamped on the product might be different in case of heat resistant type.

# UNI TYPE

SPECIAL PACKINGS  
FOR ROD SEALS  
IRON RUBBER (PUR) +  
SILICON RUBBER (VMQ)



E  
DIMENSION  
-Z-

● Please designate NOK Part number and type & size on your order.

(Example) Order for the packing as a single piece

• Type Dimensions	<u>UNI</u>	<u>40</u>	<u>50</u>	<u>7</u>
	└─ Type Sign	└─ Nominal Size of Packing described in order of inner diameter(d), outer diameter(D), and height(h)		
• Part Number	FU2002M1			

※ When placing orders for backup rings used in combination with packing, designate the NOK part number and the model size.

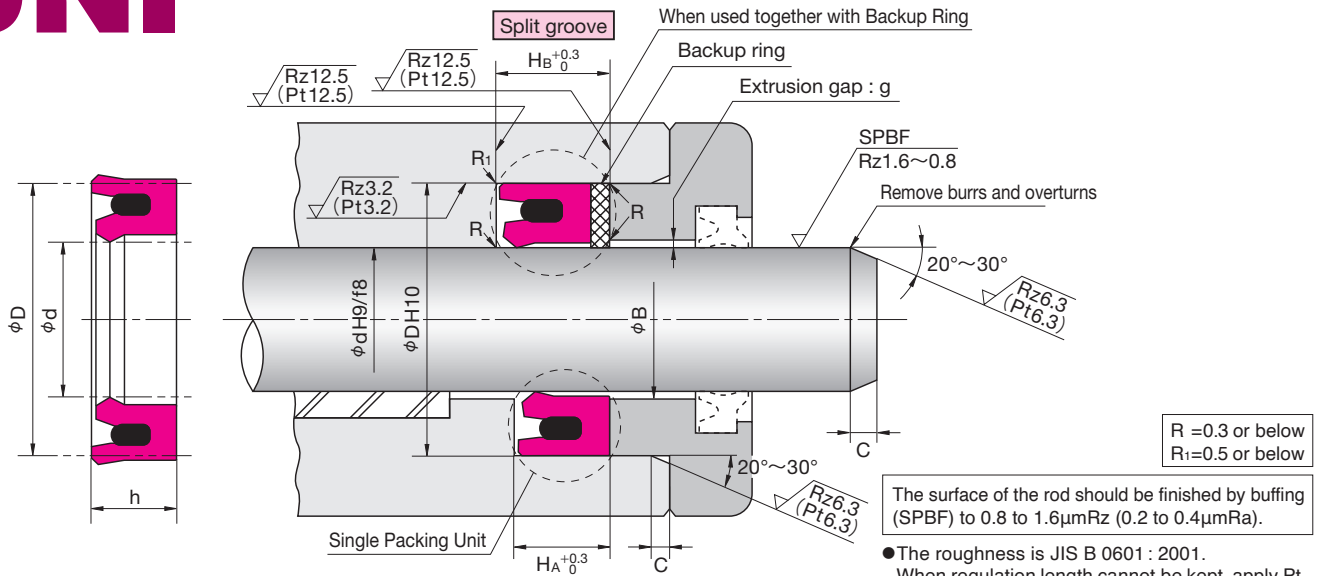
• Type Dimensions	<u>BRT3</u>	<u>40</u>	<u>50</u>	<u>3</u>
	└─ Type Sign	└─ Nominal Size of Backup ring described in order of inner diameter(d), outer diameter(D), and thickness(t)*		
• Part Number	GN6465V0			

\*t = H<sub>B</sub> - H<sub>A</sub> (Housing dimensions)

● Please check the application range on pages 16 and 17 before selecting the type.

<b>Material</b>	NOK U801 + NOK S813
-----------------	---------------------

# UNI TYPE SPECIAL PACKINGS FOR ROD SEALS



R = 0.3 or below  
R<sub>1</sub> = 0.5 or below

The surface of the rod should be finished by buffing (SPBF) to 0.8 to 1.6 μm Rz (0.2 to 0.4 μm Ra).

- The roughness is JIS B 0601 : 2001.  
When regulation length cannot be kept, apply Pt.

## HOW TO DETERMINE B DIMENSION

### When using backup ring

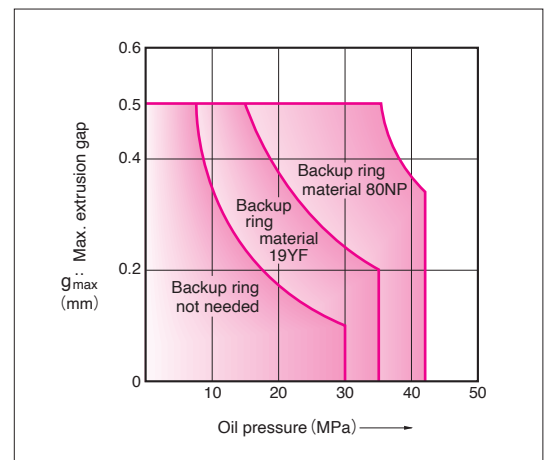
Please determine B dimension according to the table below. If you require smaller B dimension because of the cylinder configuration, please consult NOK.

Maximum Service Pressure	14MPa	21MPa	35MPa
Material of Backup ring	19YF		
B Dimension	$B \leq \phi d + 1.0$	$B \leq \phi d + 0.5$	$B \leq \phi d + 0.2$

Maximum Service Pressure	35MPa	42MPa
Material of Backup ring	80NP	
B Dimension	$B \leq \phi d + 0.8$	$B \leq \phi d + 0.4$

### When not using backup ring

To determine B dimension, please refer to the graph in the right for the maximum extrusion gap (one side) considering the eccentricity of operating condition of the piston.



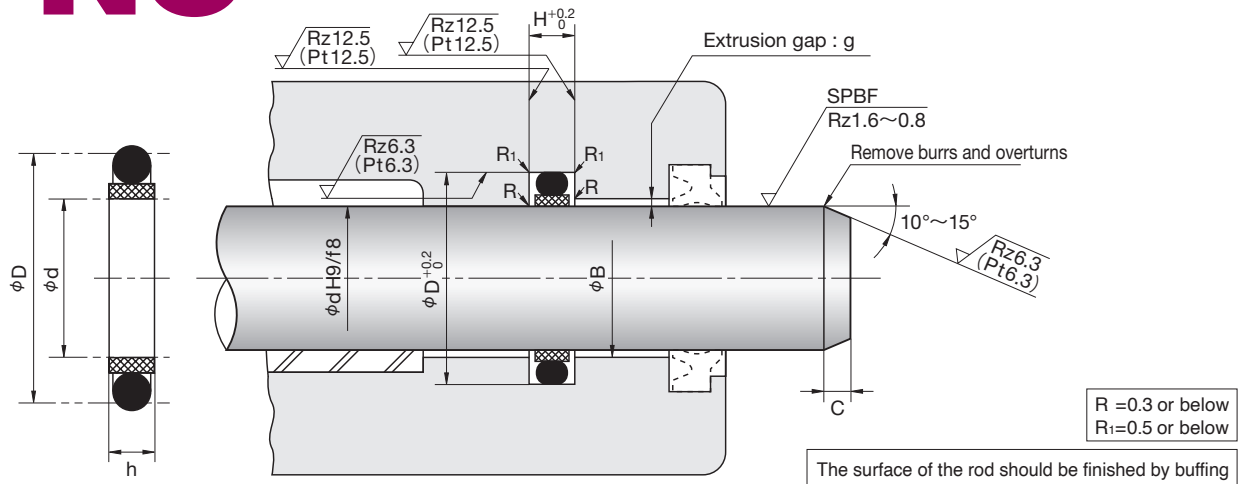
Nominal Size of Packing, and Housing dimensions						Packing Part Number	Combination Backup Ring Part Number	
d	D	h	H <sub>A</sub>	H <sub>B</sub>	C		BRT3 (Endless) 19YF	BRN3 (Endless) 80NP
40	50	7	8	11	4	FU2002M1	GN6465V0	GN9131O1
45	55	7	8	11	4	FU0568M1	GN6467V0	GN9133O1
50	63	10	11	14	4	FU1925M1	GN7285V0	GN9861O0
55	68	10	11	14	4	FU1995M1	GN7286V0	GN9862O0
60	73	10	11	14	4	FU2097M1	GN7287V0	GN9863O0
65	78	10	11	14	5	FU2074M1	GN6798V0	GN9864O0
70	83	10	11	14	5	FU2088M1	GN6556V0	GN9865O0
75	88	10	11	14	5	FU2227M1	GN6558V0	GN9866O0
80	93	10	11	14	5	FU2107M1	GN6557V0	GN9867O0
85	105	15	16	19	5	FU0990M1	GN0932V0	GN9157O1
90	110	15	16	19	5	FU1031M1	GN0939V0	GN9159O1
100	120	15	16	19	5	FU1091M1	GN0952V0	GN9164O1
110	130	15	16	19	5	FU1165M1	GN6790V0	GN9694O0
120	140	15	16	19	5	FU1224M1	GN0982V0	GN9169O1
130	150	16	17	20	5	FU1285M1	GN6925V0	GN9335O1
140	165	19	20	23	6.5	FU1332M1	GN6494V0	GN9174O1







# SPNO TYPE SPECIAL PACKINGS FOR ROD SEALS



The surface of the rod should be finished by buffing (SPBF) to 0.8 to 1.6μmRz (0.2 to 0.4μmRa).

● The roughness is JIS B 0601 : 2001.  
When regulation length cannot be kept, apply Pt.

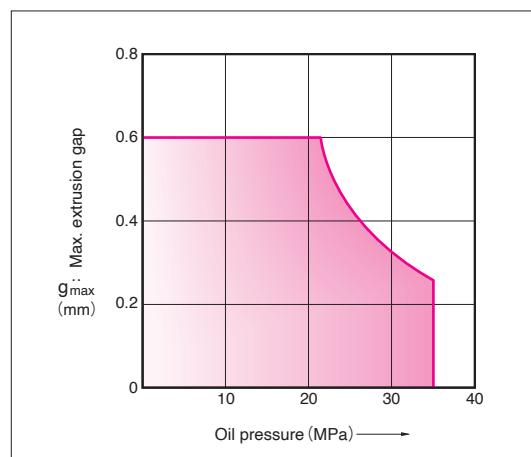
Nominal Number	Nominal Size of Packing, and Housing dimensions					NOK Part Number
	d	D	h	H	C	
SPNO 12	12	18	3	3.2	2	● GS2800V0
14	14	20	3	3.2	2	● GS2801V0
16	16	22	3	3.2	2	● GS2802V0
18	18	24	3	3.2	2	● GS2803V0
20	20	26	3	3.2	2	● GS2804V0
22	22	31	3.8	4	3.5	● GS2805V0
25	25	34	3.8	4	3.5	● GS2806V0
28	28	37	3.8	4	3.5	● GS2807V0
30	30	39	3.8	4	3.5	● GS2808V0
32	32	41	3.8	4	3.5	● GS2809V0
36	36	45	3.8	4	3.5	● GS2810V0
40	40	49	3.8	4	3.5	● GS2811V0
45	45	54	3.8	4	3.5	● GS2812V0
50	50	65	6.3	6.5	4	● GS2813V0
56	56	71	6.3	6.5	4	GS2814V0
60	60	75	6.3	6.5	4	GS2815V0
63	63	78	6.3	6.5	4	GS2816V0
70	70	85	6.3	6.5	5	GS2817V0
75	75	90	6.3	6.5	5	GS2818V0
80	80	95	6.3	6.5	5	GS2819V0
85	85	100	6.3	6.5	5	GS2820V0
90	90	105	6.3	6.5	5	GS2821V0
95	95	110	6.3	6.5	5	GS2822V0
100	100	115	6.3	6.5	5	GS2823V0
105	105	120	6.3	6.5	5	GS2824V0
110	110	125	6.3	6.5	5	GS2825V0
115	115	130	6.3	6.5	6.5	GS2826V0
120	120	135	6.3	6.5	6.5	GS2827V0
125	125	140	6.3	6.5	6.5	GS2828V0
130	130	145	6.3	6.5	6.5	GS2829V0
135	135	150	6.3	6.5	6.5	GS2830V0
140	140	155	6.3	6.5	6.5	GS2831V0
145	145	160	6.3	6.5	6.5	GS2832V0

Remark) When using the packing with ●, provide separate grooves.

E DIMENSION SPNO

## HOW TO DETERMINE B DIMENSION

To determine B dimension, please refer to the graph in the right for the maximum extrusion gap (one side) considering the eccentricity of operating condition of the piston.



Nominal Number	Nominal Size of Packing, and Housing dimensions					NOK Part Number
	d	D	h	H	C	
SPNO 150	150	170	9.8	10	6.5	GS2833V0
160	160	180	9.8	10	6.5	GS2834V0
170	170	190	9.8	10	6.5	GS2835V0
180	180	200	9.8	10	6.5	GS2836V0
190	190	210	9.8	10	6.5	GS2837V0
200	200	220	9.8	10	6.5	GS2838V0
210	210	230	9.8	10	6.5	GS2839V0
220	220	240	9.8	10	6.5	GS2840V0
224	224	244	9.8	10	6.5	GS2841V0
230	230	250	9.8	10	6.5	GS2842V0
240	240	260	9.8	10	6.5	GS2843V0
250	250	270	9.8	10	6.5	GS2844V0
260	260	280	9.8	10	7.5	GS2845V0
270	270	290	9.8	10	7.5	GS2846V0
280	280	300	9.8	10	7.5	GS2847V0
290	290	310	9.8	10	7.5	GS2848V0
300	300	320	9.8	10	7.5	GS2849V0
310	310	330	9.8	10	7.5	GS2850V0
320	320	340	9.8	10	7.5	GS2851V0
330	330	350	9.8	10	7.5	GS2852V0
340	340	360	9.8	10	7.5	GS2853V0
350	350	370	9.8	10	7.5	GS2854V0
360	360	380	9.8	10	7.5	GS2855V0
370	370	390	9.8	10	7.5	GS2856V0
380	380	400	9.8	10	7.5	GS2857V0



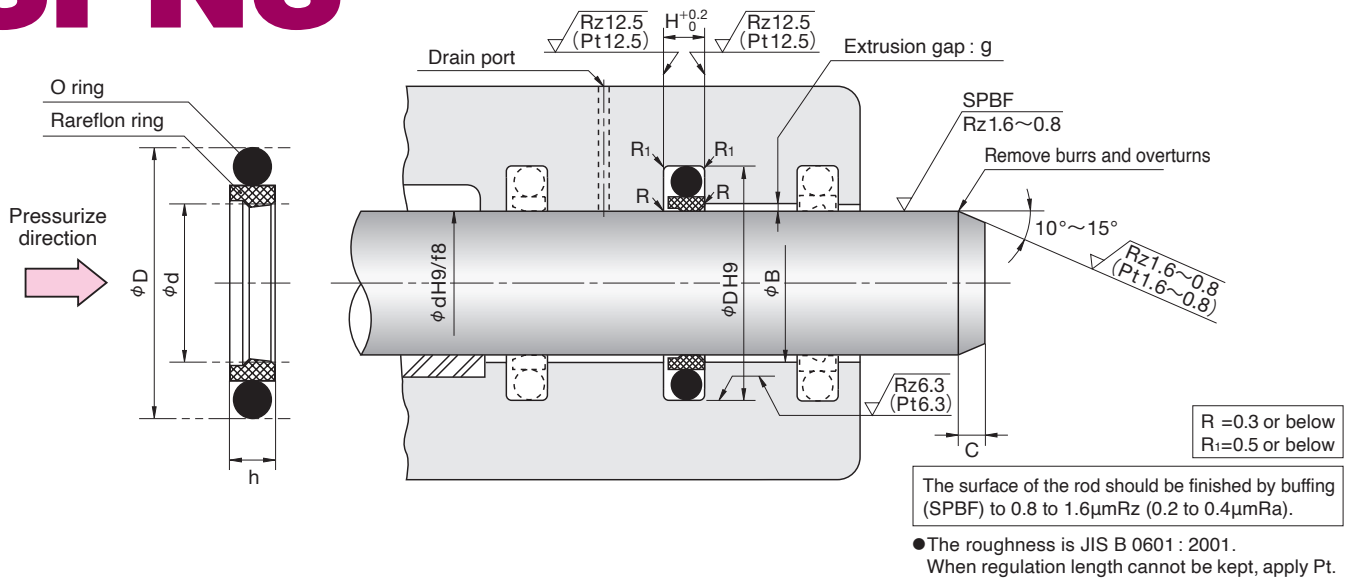








# SPNS TYPE SPECIAL PACKINGS FOR ROD SEALS



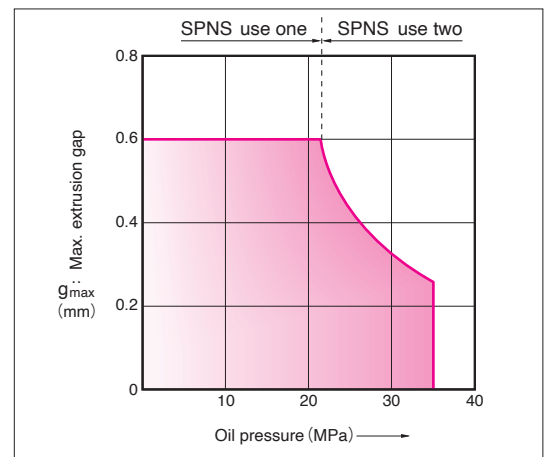
Nominal Number	Nominal Size of Packing, and Housing dimensions					NOK Part Number
	d	D	h	H	C	
SPNS 4	4	8.9	2	2.2	3.5	● GS5000V5
5	5	9.9	2	2.2	3.5	● GS5001V5
6	6	10.9	2	2.2	3.5	● GS5002V5
7	7	11.9	2	2.2	3.5	● GS5003V5
8S	8	12.9	2	2.2	3.5	● GS5004V5
8	8	15.3	2.9	3.2	3.5	● GS5005V5
10S	10	14.9	2	2.2	3.5	● GS5006V5
10	10	17.3	2.9	3.2	3.5	● GS5007V5
12S	12	16.9	2	2.2	4.5	● GS5008V5
12	12	19.3	2.9	3.2	4.5	● GS5009V5
14S	14	18.9	2	2.2	4.5	● GS5010V5
14	14	21.3	2.9	3.2	4.5	● GS5011V5
15S	15	19.9	2	2.2	4.5	● GS5012V5
15	15	22.3	2.9	3.2	4.5	● GS5013V5
16S	16	20.9	2	2.2	4.5	● GS5014V5
16	16	23.3	2.9	3.2	4.5	● GS5015V5
18S	18	22.9	2	2.2	4.5	● GS5016V5
18	18	25.3	2.9	3.2	4.5	● GS5017V5
20S	20	27.3	2.9	3.2	4.5	● GS5018V5
20	20	30.7	3.9	4.2	4.5	● GS5019V5
22S	22	29.3	2.9	3.2	4.5	● GS5020V5
22	22	32.7	3.9	4.2	4.5	● GS5021V5
22.4S	22.4	29.7	2.9	3.2	4.5	● GS5022V5
22.4	22.4	33.1	3.9	4.2	4.5	● GS5023V5
25S	25	32.3	2.9	3.2	5.5	● GS5024V5
25	25	35.7	3.9	4.2	5.5	● GS5025V5
28S	28	35.3	2.9	3.2	5.5	● GS5026V5
28	28	38.7	3.9	4.2	5.5	● GS5027V5
30S	30	37.3	2.9	3.2	5.5	● GS5028V5
30	30	40.7	3.9	4.2	5.5	● GS5029V5
32S	32	39.3	2.9	3.2	5.5	GS5030V5
32	32	42.7	3.9	4.2	5.5	GS5031V5
35S	35	42.3	2.9	3.2	5.5	GS5032V5
35	35	45.7	3.9	4.2	5.5	GS5033V5
35.5S	35.5	42.8	2.9	3.2	5.5	GS5034V5
35.5	35.5	46.2	3.9	4.2	5.5	GS5035V5

Remark) When using the packing with ●, provide separate grooves.

E DIMENSION SPNS

## HOW TO DETERMINE B DIMENSION

To determine B dimension, please refer to the graph in the right for the maximum extrusion gap (one side) considering the eccentricity of operating condition of the piston.

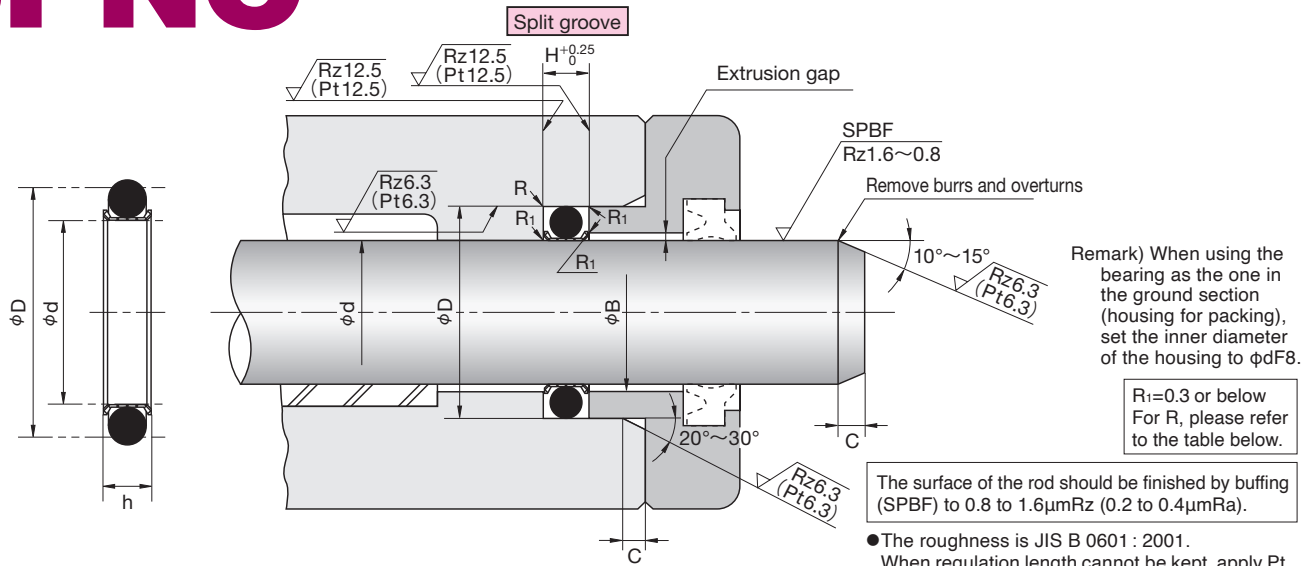


Nominal Number	Nominal Size of Packing, and Housing dimensions					NOK Part Number
	d	D	h	H	C	
SPNS 36S	36	43.3	2.9	3.2	5.5	GS5036V5
36	36	46.7	3.9	4.2	5.5	GS5037V5
38S	38	48.7	3.9	4.2	5.5	GS5038V5
38	38	53.1	5.9	6.3	5.5	GS5039V5
40S	40	50.7	3.9	4.2	5.5	GS5040V5
40	40	55.1	5.9	6.3	5.5	GS5041V5
42S	42	52.7	3.9	4.2	5.5	GS5042V5
42	42	57.1	5.9	6.3	5.5	GS5043V5
45S	45	55.7	3.9	4.2	5.5	GS5044V5
45	45	60.1	5.9	6.3	5.5	GS5045V5
50S	50	60.7	3.9	4.2	5.5	GS5046V5
50	50	65.1	5.9	6.3	5.5	GS5047V5
56S	56	66.7	3.9	4.2	7	GS5048V5
56	56	71.1	5.9	6.3	7	GS5049V5
60S	60	70.7	3.9	4.2	7	GS5050V5
60	60	75.1	5.9	6.3	7	GS5051V5
63	63	78.1	5.9	6.3	7	GS5052V5
65	65	80.1	5.9	6.3	7	GS5053V5
67	67	82.1	5.9	6.3	7	GS5054V5
70	70	85.1	5.9	6.3	7	GS5055V5
71	71	86.1	5.9	6.3	7	GS5056V5
75	75	90.1	5.9	6.3	7	GS5057V5
80	80	95.1	5.9	6.3	7	GS5058V5
85	85	100.1	5.9	6.3	7	GS5059V5
90	90	105.1	5.9	6.3	7	GS5060V5
95	95	110.1	5.9	6.3	7	GS5061V5
100	100	115.1	5.9	6.3	7	GS5062V5
105	105	120.1	5.9	6.3	7	GS5063V5
110	110	125.1	5.9	6.3	7	GS5064V5
112	112	127.1	5.9	6.3	7	GS5065V5
115	115	130.1	5.9	6.3	7	GS5066V5
120	120	135.1	5.9	6.3	7	GS5067V5
125	125	140.1	5.9	6.3	7	GS5068V5
130	130	145.1	5.9	6.3	7	GS5069V5
135	135	150.1	5.9	6.3	7	GS5070V5
140	140	155.1	5.9	6.3	7	GS5071V5
150	150	165.1	5.9	6.3	7	GS5072V5
160	160	175.1	5.9	6.3	7	GS5073V5
170	170	185.1	5.9	6.3	7	GS5074V5
180	180	195.1	5.9	6.3	7	GS5075V5





# SPNC TYPE SPECIAL PACKINGS FOR ROD SEALS



Nominal Number	Nominal Size of Packing			Housing dimensions								NOK Part Number			
				For general hydraulic use				For pneumatic and hydraulic low-friction applications					H	R	C
				$\phi d_{-0.05}^0$	$\phi D_{+0.05}^0$	h		$\phi d_{-0.05}^0$	$\phi D_{+0.05}^0$						
SPNC 3	3	6	2.3	3	6	3	6.5	2.5	0.3 or below	3~4	GS2000F0				
4	4	7	2.3	4	7	4	7.5	2.5	0.3 or below	3~4	GS2001F0				
5	5	8	2.3	5	8	5	8.5	2.5	0.3 or below	3~4	GS2002F0				
6	6	9	2.3	6	9	6	9.5	2.5	0.3 or below	3~4	GS2003F0				
7	7	10	2.3	7	10	7	10.5	2.5	0.3 or below	3~4	GS2004F0				
8	8	11	2.3	8	11	8	11.5	2.5	0.3 or below	3~4	GS2005F0				
9	9	12	2.3	9	12	9	12.5	2.5	0.3 or below	3~4	GS2006F0				
10	10	13	2.3	10	13	10	13.5	2.5	0.3 or below	3~4	GS2007F0				
Nominal Number	Nominal Size of Packing			Housing dimensions								NOK Part Number			
				For general hydraulic use				For pneumatic and hydraulic low-friction applications					H	R	C
				$\phi d_{-0.06}^0$	$\phi D_{+0.06}^0$	h		$\phi d_{-0.06}^0$	$\phi D_{+0.06}^0$						
SPNC 10A	10	14	3	10	14	10	14.6	3.2	0.4 or below	4~5	GS2008F0				
11	11	15	3	11	15	11	15.6	3.2	0.4 or below	4~5	GS2009F0				
11.2	11.2	15.2	3	11.2	15.2	11.2	15.8	3.2	0.4 or below	4~5	GS2010F0				
12	12	16	3	12	16	12	16.6	3.2	0.4 or below	4~5	GS2011F0				
12.5	12.5	16.5	3	12.5	16.5	12.5	17.1	3.2	0.4 or below	4~5	GS2012F0				
14	14	18	3	14	18	14	18.6	3.2	0.4 or below	4~5	GS2013F0				
15	15	19	3	15	19	15	19.6	3.2	0.4 or below	4~5	GS2014F0				
16	16	20	3	16	20	16	20.6	3.2	0.4 or below	4~5	GS2015F0				
18	18	22	3	18	22	18	22.6	3.2	0.4 or below	4~5	GS2016F0				
20	20	24	3	20	24	20	24.6	3.2	0.4 or below	4~5	GS2017F0				
21	21	25	3	21	25	21	25.6	3.2	0.4 or below	4~5	GS2018F0				
22	22	26	3	22	26	22	26.6	3.2	0.4 or below	4~5	GS2020F0				
Nominal Number	Nominal Size of Packing			Housing dimensions								NOK Part Number			
				For general hydraulic use				For pneumatic and hydraulic low-friction applications					H	R	C
				$\phi d_{-0.08}^0$	$\phi D_{+0.08}^0$	h		$\phi d_{-0.08}^0$	$\phi D_{+0.08}^0$						
SPNC 22A	22	28	4.4	22	28	22	28.6	4.7	0.7 or below	5~6	GS2019F0				
22.4	22.4	28.4	4.4	22.4	28.4	22.4	29	4.7	0.7 or below	5~6	GS2021F0				
24	24	30	4.4	24	30	24	30.6	4.7	0.7 or below	5~6	GS2022F0				
25	25	31	4.4	25	31	25	31.6	4.7	0.7 or below	5~6	GS2023F0				
25.5	25.5	31.5	4.4	25.5	31.5	25.5	32.1	4.7	0.7 or below	5~6	GS2024F0				
26	26	32	4.4	26	32	26	32.6	4.7	0.7 or below	5~6	GS2025F0				
28	28	34	4.4	28	34	28	34.6	4.7	0.7 or below	5~6	GS2026F0				
29	29	35	4.4	29	35	29	35.6	4.7	0.7 or below	5~6	GS2027F0				
29.5	29.5	35.5	4.4	29.5	35.5	29.5	36.1	4.7	0.7 or below	5~6	GS2028F0				
30	30	36	4.4	30	36	30	36.6	4.7	0.7 or below	5~6	GS2029F0				
31	31	37	4.4	31	37	31	37.6	4.7	0.7 or below	5~6	GS2030F0				
31.5	31.5	37.5	4.4	31.5	37.5	31.5	38.1	4.7	0.7 or below	5~6	GS2031F0				
32	32	38	4.4	32	38	32	38.6	4.7	0.7 or below	5~6	GS2032F0				
34	34	40	4.4	34	40	34	40.6	4.7	0.7 or below	5~6	GS2033F0				
35	35	41	4.4	35	41	35	41.6	4.7	0.7 or below	5~6	GS2034F0				
35.5	35.5	41.5	4.4	35.5	41.5	35.5	42.1	4.7	0.7 or below	5~6	GS2035F0				
36	36	42	4.4	36	42	36	42.6	4.7	0.7 or below	5~6	GS2036F0				

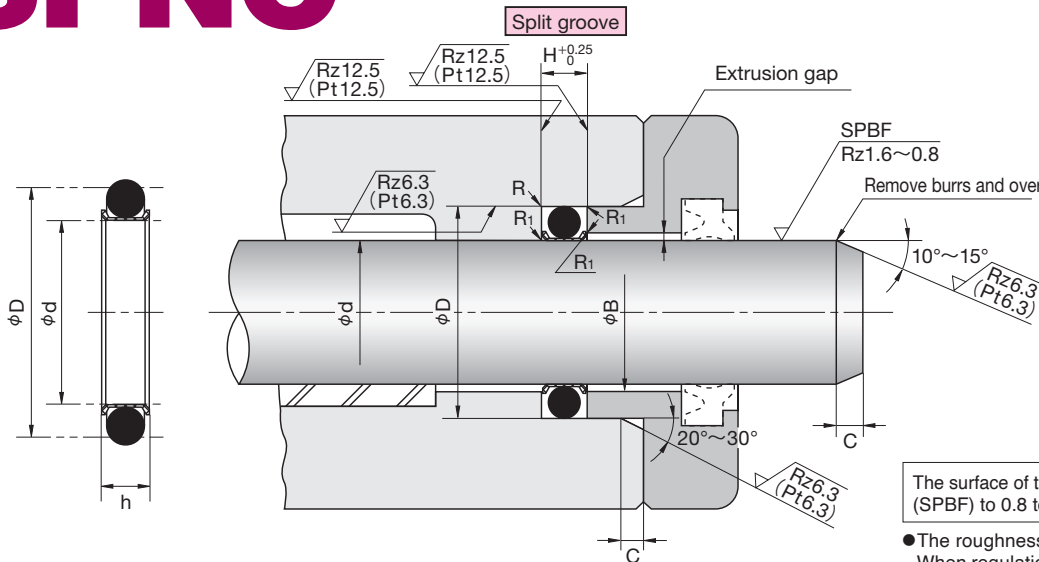


## HOW TO DETERMINE B DIMENSION

To determine B dimension, please make the maximum extrusion gap 0.4mm or below considering the eccentricity of piston.

Nominal Number	Nominal Size of Packing			Housing dimensions							NOK Part Number
				For general hydraulic use		For pneumatic and hydraulic low-friction applications		H	R	C	
	d	D	h	$\phi d_{-0.08}^0$	$\phi D_0^{+0.08}$	$\phi d_{-0.08}^0$	$\phi D_0^{+0.08}$				
SPNC 38	38	44	4.4	38	44	38	44.6	4.7	0.7 or below	5~6	GS2037F0
39	39	45	4.4	39	45	39	45.6	4.7	0.7 or below	5~6	GS2038F0
40	40	46	4.4	40	46	40	46.6	4.7	0.7 or below	5~6	GS2039F0
41	41	47	4.4	41	47	41	47.6	4.7	0.7 or below	5~6	GS2040F0
42	42	48	4.4	42	48	42	48.6	4.7	0.7 or below	5~6	GS2041F0
44	44	50	4.4	44	50	44	50.6	4.7	0.7 or below	5~6	GS2042F0
45	45	51	4.4	45	51	45	51.6	4.7	0.7 or below	5~6	GS2043F0
46	46	52	4.4	46	52	46	52.6	4.7	0.7 or below	5~6	GS2044F0
48	48	54	4.4	48	54	48	54.6	4.7	0.7 or below	5~6	GS2046F0
49	49	55	4.4	49	55	49	55.6	4.7	0.7 or below	5~6	GS2047F0
50	50	56	4.4	50	56	50	56.6	4.7	0.7 or below	5~6	GS2049F0
Nominal Number	Nominal Size of Packing			Housing dimensions							NOK Part Number
				For general hydraulic use		For pneumatic and hydraulic low-friction applications		H	R	C	
	d	D	h	$\phi d_{-0.10}^0$	$\phi D_0^{+0.10}$	$\phi d_{-0.10}^0$	$\phi D_0^{+0.10}$				
SPNC 48A	48	58	7	48	58	48	58.6	7.5	0.8 or below	6~8	GS2045F0
50A	50	60	7	50	60	50	60.6	7.5	0.8 or below	6~8	GS2048F0
52	52	62	7	52	62	52	62.6	7.5	0.8 or below	6~8	GS2050F0
53	53	63	7	53	63	53	63.6	7.5	0.8 or below	6~8	GS2051F0
55	55	65	7	55	65	55	65.6	7.5	0.8 or below	6~8	GS2052F0
56	56	66	7	56	66	56	66.6	7.5	0.8 or below	6~8	GS2053F0
58	58	68	7	58	68	58	68.6	7.5	0.8 or below	6~8	GS2054F0
60	60	70	7	60	70	60	70.6	7.5	0.8 or below	6~8	GS2055F0
62	62	72	7	62	72	62	72.6	7.5	0.8 or below	6~8	GS2056F0
63	63	73	7	63	73	63	73.6	7.5	0.8 or below	6~8	GS2057F0
65	65	75	7	65	75	65	75.6	7.5	0.8 or below	6~8	GS2058F0
67	67	77	7	67	77	67	77.6	7.5	0.8 or below	6~8	GS2059F0
70	70	80	7	70	80	70	80.6	7.5	0.8 or below	6~8	GS2060F0
71	71	81	7	71	81	71	81.6	7.5	0.8 or below	6~8	GS2061F0
75	75	85	7	75	85	75	85.6	7.5	0.8 or below	6~8	GS2062F0
80	80	90	7	80	90	80	90.6	7.5	0.8 or below	6~8	GS2063F0
85	85	95	7	85	95	85	95.6	7.5	0.8 or below	6~8	GS2064F0
90	90	100	7	90	100	90	100.6	7.5	0.8 or below	6~8	GS2065F0
95	95	105	7	95	105	95	105.6	7.5	0.8 or below	6~8	GS2066F0
100	100	110	7	100	110	100	110.6	7.5	0.8 or below	6~8	GS2067F0
102	102	112	7	102	112	102	112.6	7.5	0.8 or below	6~8	GS2068F0
105	105	115	7	105	115	105	115.6	7.5	0.8 or below	6~8	GS2069F0
110	110	120	7	110	120	110	120.6	7.5	0.8 or below	6~8	GS2070F0
112	112	122	7	112	122	112	122.6	7.5	0.8 or below	6~8	GS2071F0
115	115	125	7	115	125	115	125.6	7.5	0.8 or below	6~8	GS2072F0
120	120	130	7	120	130	120	130.6	7.5	0.8 or below	6~8	GS2073F0
125	125	135	7	125	135	125	135.6	7.5	0.8 or below	6~8	GS2074F0
130	130	140	7	130	140	130	140.6	7.5	0.8 or below	6~8	GS2075F0
132	132	142	7	132	142	132	142.6	7.5	0.8 or below	6~8	GS2076F0

# SPNC TYPE SPECIAL PACKINGS FOR ROD SEALS



Remark 1) To determine φB dimension, please make the maximum extrusion gap 0.4mm or below considering the eccentricity of rod.  
 Remark 2) When using the bearing as the one in the ground section (housing for packing), set the inner diameter of the housing to φdF8.

R<sub>1</sub>=0.3 or below  
 For R, please refer to the table below.

The surface of the rod should be finished by buffing (SPBF) to 0.8 to 1.6μmRz (0.2 to 0.4μmRa).

●The roughness is JIS B 0601 : 2001.  
 When regulation length cannot be kept, apply Pt.

Nominal Number	Nominal Size of Packing			Housing dimensions				NOK Part Number			
				For general hydraulic use		For pneumatic and hydraulic low-friction applications					
	d	D	h	φd <sub>-0.10</sub> <sup>0</sup>	φD <sup>+0.10</sup> <sub>0</sub>	φd <sub>-0.10</sub> <sup>0</sup>	φD <sup>+0.10</sup> <sub>0</sub>	H	R	C	
SPNC 135	135	145	7	135	145	135	145.6	7.5	0.8 or below	6~8	GS2077F0
140	140	150	7	140	150	140	150.6	7.5	0.8 or below	6~8	GS2078F0
145	145	155	7	145	155	145	155.6	7.5	0.8 or below	6~8	GS2079F0
150	150	160	7	150	160	150	160.6	7.5	0.8 or below	6~8	GS2081F0
150A	150	165	10.5	150	165	150	165.6	11.0	0.8 or below	8~12	GS2080F0
155	155	170	10.5	155	170	155	170.6	11.0	0.8 or below	8~12	GS2082F0
160	160	175	10.5	160	175	160	175.6	11.0	0.8 or below	8~12	GS2083F0
165	165	180	10.5	165	180	165	180.6	11.0	0.8 or below	8~12	GS2084F0
170	170	185	10.5	170	185	170	185.6	11.0	0.8 or below	8~12	GS2085F0
175	175	190	10.5	175	190	175	190.6	11.0	0.8 or below	8~12	GS2086F0
180	180	195	10.5	180	195	180	195.6	11.0	0.8 or below	8~12	GS2087F0
185	185	200	10.5	185	200	185	200.6	11.0	0.8 or below	8~12	GS2088F0
190	190	205	10.5	190	205	190	205.6	11.0	0.8 or below	8~12	GS2089F0
195	195	210	10.5	195	210	195	210.6	11.0	0.8 or below	8~12	GS2090F0
200	200	215	10.5	200	215	200	215.6	11.0	0.8 or below	8~12	GS2091F0
205	205	220	10.5	205	220	205	220.6	11.0	0.8 or below	8~12	GS2092F0
209	209	224	10.5	209	224	209	224.6	11.0	0.8 or below	8~12	GS2093F0
210	210	225	10.5	210	225	210	225.6	11.0	0.8 or below	8~12	GS2094F0
215	215	230	10.5	215	230	215	230.6	11.0	0.8 or below	8~12	GS2095F0
220	220	235	10.5	220	235	220	235.6	11.0	0.8 or below	8~12	GS2096F0
225	225	240	10.5	225	240	225	240.6	11.0	0.8 or below	8~12	GS2097F0
230	230	245	10.5	230	245	230	245.6	11.0	0.8 or below	8~12	GS2098F0
235	235	250	10.5	235	250	235	250.6	11.0	0.8 or below	8~12	GS2099F0
240	240	255	10.5	240	255	240	255.6	11.0	0.8 or below	8~12	GS2100F0
245	245	260	10.5	245	260	245	260.6	11.0	0.8 or below	8~12	GS2101F0
250	250	265	10.5	250	265	250	265.6	11.0	0.8 or below	8~12	GS2102F0
255	255	270	10.5	255	270	255	270.6	11.0	0.8 or below	8~12	GS2103F0
260	260	275	10.5	260	275	260	275.6	11.0	0.8 or below	8~12	GS2104F0
265	265	280	10.5	265	280	265	280.6	11.0	0.8 or below	8~12	GS2105F0
270	270	285	10.5	270	285	270	285.6	11.0	0.8 or below	8~12	GS2106F0
275	275	290	10.5	275	290	275	290.6	11.0	0.8 or below	8~12	GS2107F0
280	280	295	10.5	280	295	280	295.6	11.0	0.8 or below	8~12	GS2108F0
285	285	300	10.5	285	300	285	300.6	11.0	0.8 or below	8~12	GS2109F0
290	290	305	10.5	290	305	290	305.6	11.0	0.8 or below	8~12	GS2110F0
295	295	310	10.5	295	310	295	310.6	11.0	0.8 or below	8~12	GS2111F0
300	300	315	10.5	300	315	300	315.6	11.0	0.8 or below	8~12	GS2112F0
315	315	330	10.5	315	330	315	330.6	11.0	0.8 or below	8~12	GS2113F0
320	320	335	10.5	320	335	320	335.6	11.0	0.8 or below	8~12	GS2114F0
335	335	350	10.5	335	350	335	350.6	11.0	0.8 or below	8~12	GS2115F0
340	340	355	10.5	340	355	340	355.6	11.0	0.8 or below	8~12	GS2116F0
355	355	370	10.5	355	370	355	370.6	11.0	0.8 or below	8~12	GS2117F0
360	360	375	10.5	360	375	360	375.6	11.0	0.8 or below	8~12	GS2118F0
375	375	390	10.5	375	390	375	390.6	11.0	0.8 or below	8~12	GS2119F0
385	385	400	10.5	385	400	385	400.6	11.0	0.8 or below	8~12	GS2120F0