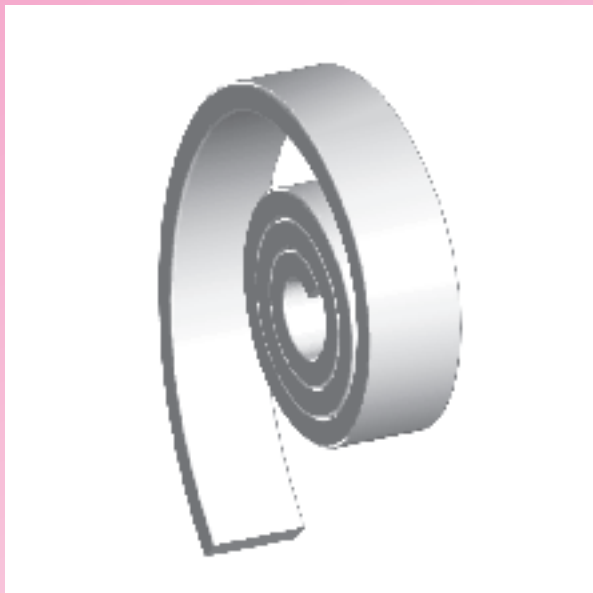


RYT TYPE

WEAR RING
RAREFLON (PTFE)



E
DIMENSION
R
Y
T

- Please designate NOK Part number and type & size on your order.

(Example) · Type Dimensions

RYT

2 8

Type Sign

Nominal Size of Wear Ring
described in order of
thickness(t) and height(h)

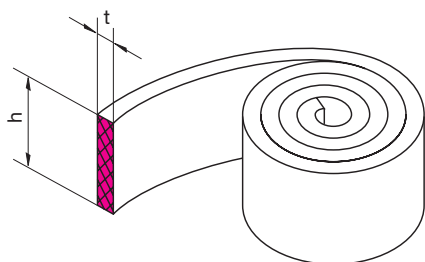
· Part Number

GZ1291V0

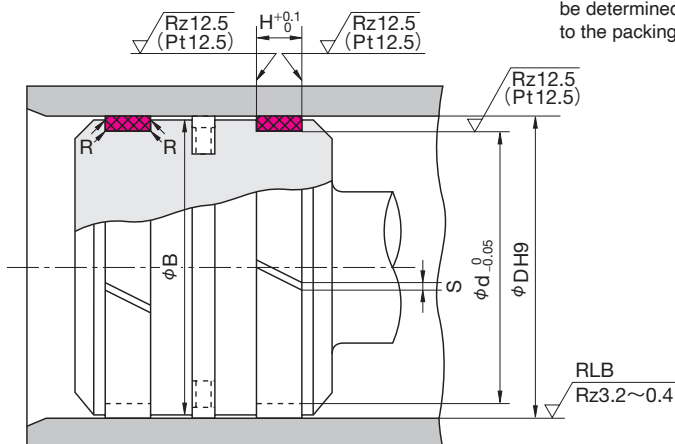
- Please check the application range on pages 22 and 23 before selecting the type.

Material	NOK 05ZF
-----------------	----------

RYT TYPE WEAR RING



※One roll length is 10 m.

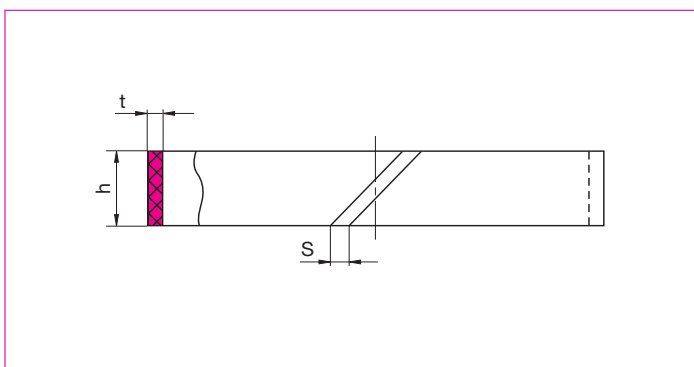


Remark) B dimension should be determined according to the packing used.

R = 0.3 or below

The inner surface of the cylinder tube should be finished by burnishing (RLB) or honing (GH) to 0.4 to 3.2 μm Rz (0.1 to 0.8 μm Ra). Especially under severe lubricating condition, burnishing is required.

- The roughness is JIS B 0601 : 2001. When regulation length cannot be kept, apply Pt.



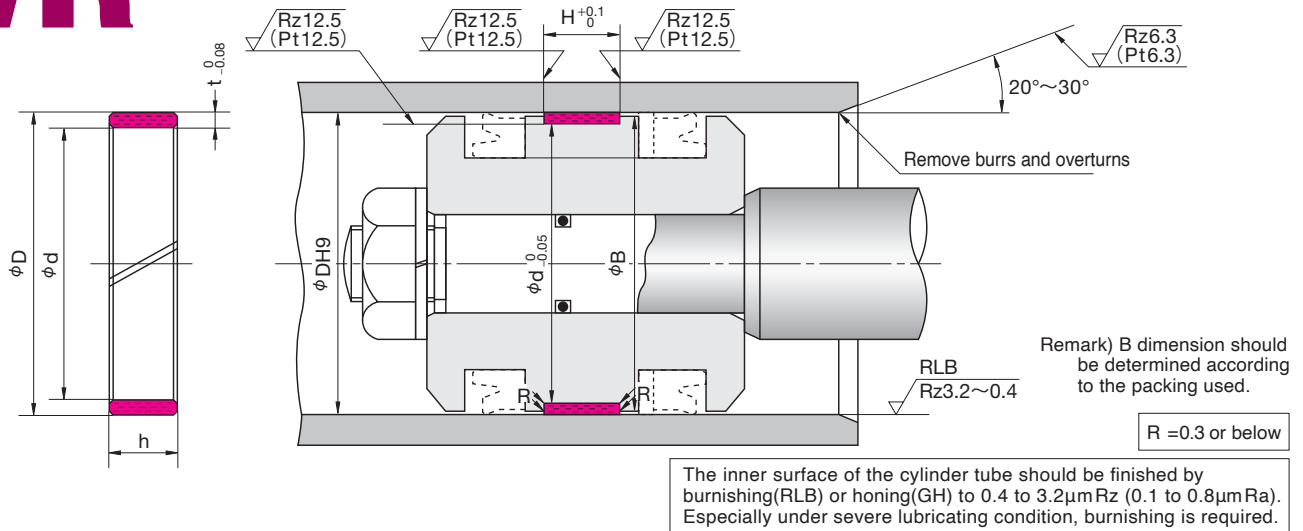
Remark) Determine the length of wear ring = L according to the formula below.

$$L = \pi \cdot (D - t) - S$$

Nominal Number	Nominal Size of Wear Ring			Housing dimensions			NOK Part Number
	t	h	S	φD	φd	H	
RYT 8	2	8	1 ~ 1.5	18 ~ 63	D-4	8	GZ1291V0
10	2	10	1 ~ 2	33 ~ 80	D-4	10	GZ1292V0
15	2.5	15	1.5 ~ 3	41 ~ 130	D-5	15	GZ1293V0
20	2.5	20	2 ~ 4	65 ~ 160	D-5	20	GZ1294V0
25	2.5	25	2 ~ 6	85 ~ 225	D-5	25	GZ1295V0
30	2.5	30	3 ~ 6.5	112 ~ 250	D-5	30	GZ1296V0
35	2.5	35	3.5 ~ 8	132 ~ 300	D-5	35	GZ1297V0
40	2.5	40	4 ~ 9	150 ~ 350	D-5	40	GZ1298V0
45	2.5	45	4 ~ 10	165 ~ 400	D-5	45	GZ1299V0
50	3	50	5 ~ 11	205 ~ 450	D-6	50	GZ1300V0
55	3	55	6 ~ 13	230 ~ 500	D-6	55	GZ1301V0
60	3	60	7 ~ 15	260 ~ 600	D-6	60	GZ1302V0
70	3	70	8 ~ 28	290 ~ 1000	D-6	70	GZ1303V0

※ RYT type wear ring of other dimensions than the above can be available on demand, please consult NOK.

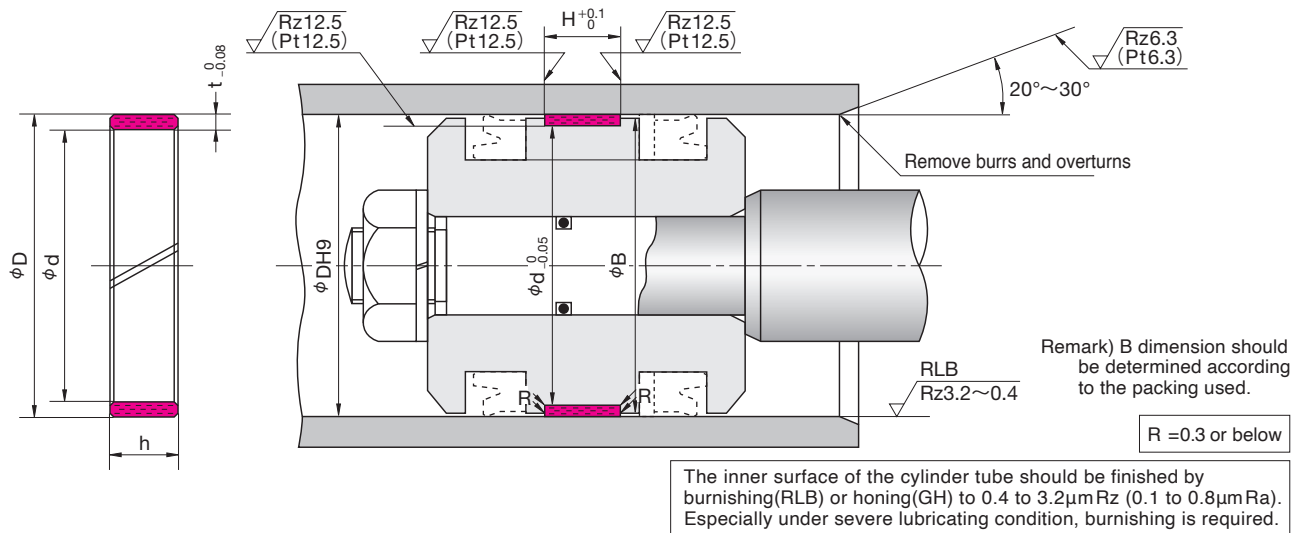
WR TYPE WEAR RING (FOR U TYPE PACKINGS)



●The roughness is JIS B 0601 : 2001.
When regulation length cannot be kept, apply Pt.

Nominal Number	Nominal Size of Wear Ring, and Housing dimensions					NOK Part Number
	d	D	h	t	H	
WR 18	14	18	8	2	8	GW0241P0
19.2	15.2	19.2	8	2	8	GW0242P0
20	16	20	8	2	8	GW0243P0
22	18	22	8	2	8	GW0244P0
24	20	24	8	2	8	GW0245P0
25	21	25	8	2	8	GW0246P0
26	22	26	8	2	8	GW0247P0
28	24	28	8	2	8	GW0248P0
30	26	30	8	2	8	GW0249P0
31	27	31	8	2	8	GW0250P0
31.5	27.5	31.5	8	2	8	GW0251P0
33	29	33	10	2	10	GW0252P0
35	31	35	10	2	10	GW0253P0
35.4	31.4	35.4	10	2	10	GW0254P0
35.5	31.5	35.5	10	2	10	GW0255P0
38	34	38	10	2	10	GW0256P0
40	36	40	10	2	10	GW0257P0
41	37	41	15	2	15	GW0258P0
43	38	43	15	2.5	15	GW0259P0
44.5	39.5	44.5	15	2.5	15	GW0260P0
45	40	45	15	2.5	15	GW0261P0
50	45	50	15	2.5	15	GW0006P1
51.5	46.5	51.5	15	2.5	15	GW0263P0
55	50	55	15	2.5	15	GW0264P0
56	51	56	15	2.5	15	GW0010P1
60	55	60	15	2.5	15	GW0012P1
61	56	61	15	2.5	15	GW0267P0
63	58	63	15	2.5	15	GW0268P0
65	60	65	20	2.5	20	GW0269P0
66	61	66	20	2.5	20	GW0270P0
69	64	69	20	2.5	20	GW0271P0
70	65	70	20	2.5	20	GW0019P1
71	66	71	20	2.5	20	GW0192P1
75	70	75	20	2.5	20	GW0021P1
76	71	76	20	2.5	20	GW0746P0
80	75	80	20	2.5	20	GW0027P1

E DIMENSION WR

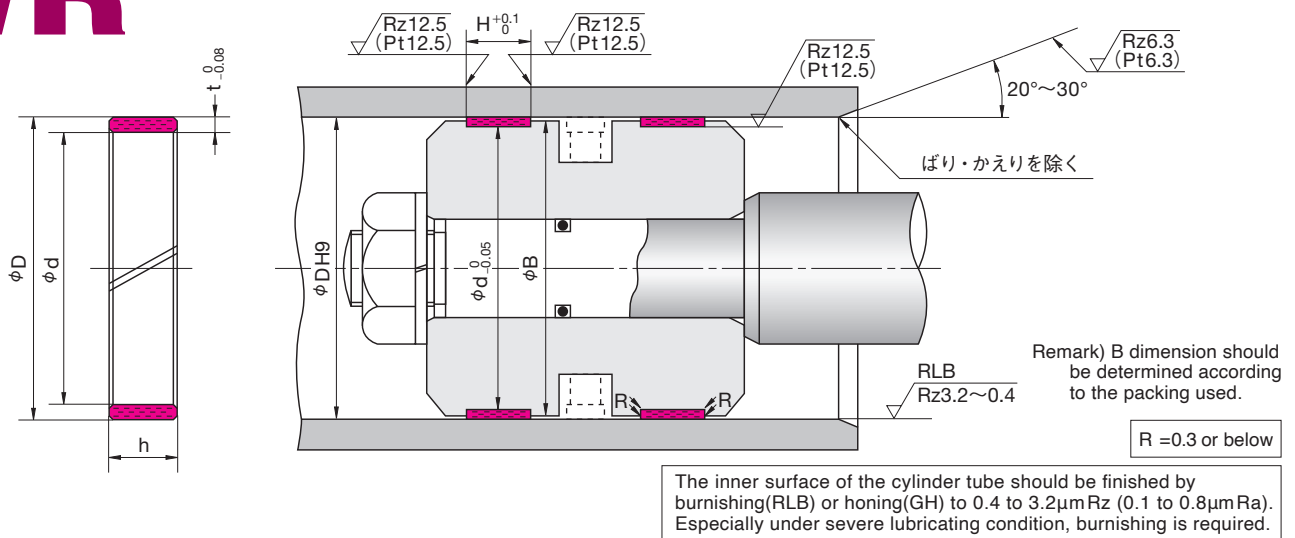


●The roughness is JIS B 0601 : 2001.
When regulation length cannot be kept, apply Pt.

Nominal Number	Nominal Size of Wear Ring, and Housing dimensions					NOK Part Number
	d	D	h	t	H	
WR 85	79	85	25	3	25	GW0030P1
90	84	90	25	3	25	GW0036P1
95	89	95	25	3	25	GW0167P1
100	94	100	25	3	25	GW0041P3
105	99	105	25	3	25	GW0278P0
110	104	110	25	3	25	GW0051P1
112	106	112	30	3	30	GW0280P0
115	109	115	30	3	30	GW0055P2
120	114	120	30	3	30	GW0059P1
125	119	125	30	3	30	GW0283P0
130	123	130	30	3.5	30	GW0065P1
132	125	132	35	3.5	35	GW0285P0
140	133	140	35	3.5	35	GW0075P1
150	143	150	35	3.5	35	GW0086P1
157	150	157	40	3.5	40	GW0287P0
160	153	160	40	3.5	40	GW0093P2
165	157	165	45	4	45	GW0289P0
170	162	170	45	4	45	GW0290P0
180	172	180	45	4	45	GW0104P1
185	177	185	45	4	45	GW0292P0
190	182	190	45	4	45	GW0293P0
200	192	200	45	4	45	GW0109P1
205	197	205	50	4	50	GW0181P1
210	202	210	50	4	50	GW0296P0
220	212	220	50	4	50	GW0297P0
224	216	224	50	4	50	GW0298P0
225	217	225	50	4	50	GW0115P1
230	222	230	55	4	55	GW0300P0
240	232	240	55	4	55	GW0301P0
250	242	250	55	4	55	GW0122P1
260	252	260	60	4	60	GW0303P0
270	262	270	60	4	60	GW0304P0
275	267	275	60	4	60	GW0305P0
290	282	290	70	4	70	GW0307P0
297	289	297	70	4	70	GW0308P0
300	292	300	70	4	70	GW0309P0
312	304	312	70	4	70	GW0310P0
332	324	332	70	4	70	GW0311P0

WR TYPE

WEAR RING (FOR PACKINGS OF SPG AND SPGW TYPE)



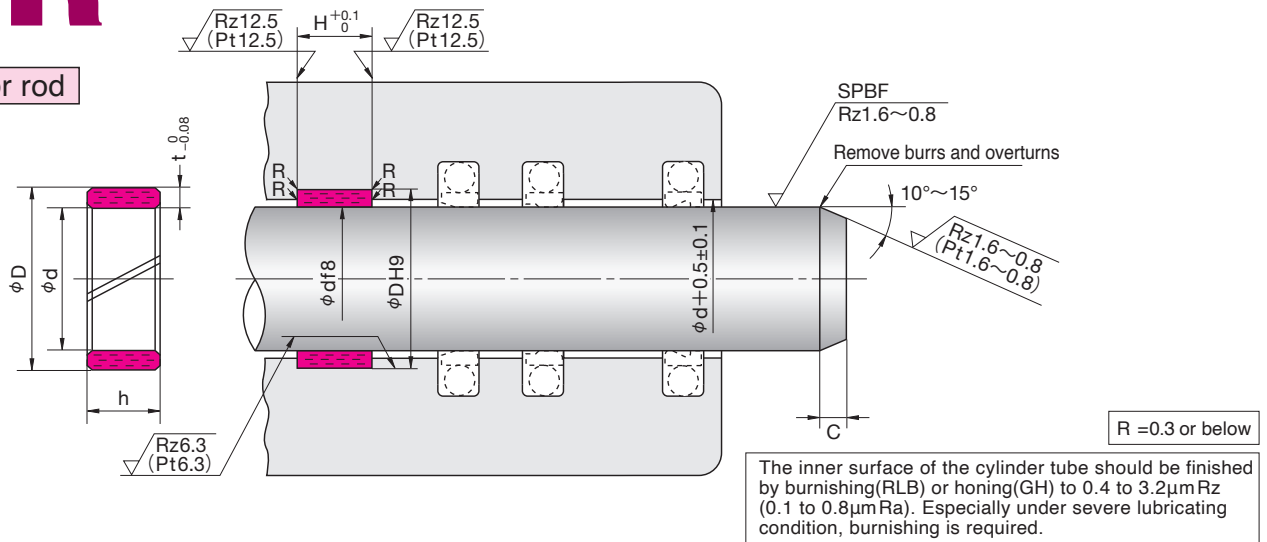
●The roughness is JIS B 0601 : 2001.
When regulation length cannot be kept, apply Pt.

Nominal Number	Nominal Size of Wear Ring, and Housing dimensions					NOK Part Number
	d	D	h	t	H	
WR 30W	26	30	8	2	8	GW0249P0
31.5W	27.5	31.5	8	2	8	GW0251P0
32W	28	32	8	2	8	GW0314P0
35W	31	35	8	2	8	GW0315P0
35.5W	31.5	35.5	8	2	8	GW0316P0
40W	36	40	8	2	8	GW0317P0
45W	40	45	8	2.5	8	GW0318P0
50W	45	50	8	2.5	8	GW0279P0
55W	50	55	8	2.5	8	GW0319P0
56W	51	56	8	2.5	8	GW0320P0
60W	55	60	8	2.5	8	GW0321P0
63W	58	63	8	2.5	8	GW0322P0
65W	60	65	10	2.5	10	GW0323P0
69W	64	69	10	2.5	10	GW0324P0
70W	65	70	10	2.5	10	GW0018P1
71W	66	71	10	2.5	10	GW0326P0
75W	70	75	10	2.5	10	GW0327P0
80W	75	80	10	2.5	10	GW0025P1
85W	79	85	15	3	15	GW0329P0
90W	84	90	15	3	15	GW0330P0
95W	89	95	15	3	15	GW0331P0
100W	94	100	15	3	15	GW0332P0
108W	102	108	15	3	15	GW0333P0
110W	104	110	15	3	15	GW0334P0
112W	106	112	15	3	15	GW0335P0
120W	114	120	15	3	15	GW0336P0
125W	119	125	15	3	15	GW0337P0
130W	123	130	15	3.5	15	GW0338P0
140W	133	140	20	3.5	20	GW0339P0
150W	143	150	20	3.5	20	GW0340P0
160W	153	160	20	3.5	20	GW0341P0
170W	162	170	25	4	25	GW0342P0
180W	172	180	25	4	25	GW0343P0
190W	182	190	25	4	25	GW0344P0
200W	192	200	25	4	25	GW0345P0
204W	196	204	25	4	25	GW0346P0
210W	202	210	25	4	25	GW0347P0
224W	216	224	25	4	25	GW0348P0
225W	217	225	25	4	25	GW0349P0
230W	222	230	30	4	30	GW0350P0
240W	232	240	30	4	30	GW0351P0
250W	242	250	30	4	30	GW0352P0

E DIMENSION WR

WR TYPE WEAR RING (COMBINED PISTON/ROD)

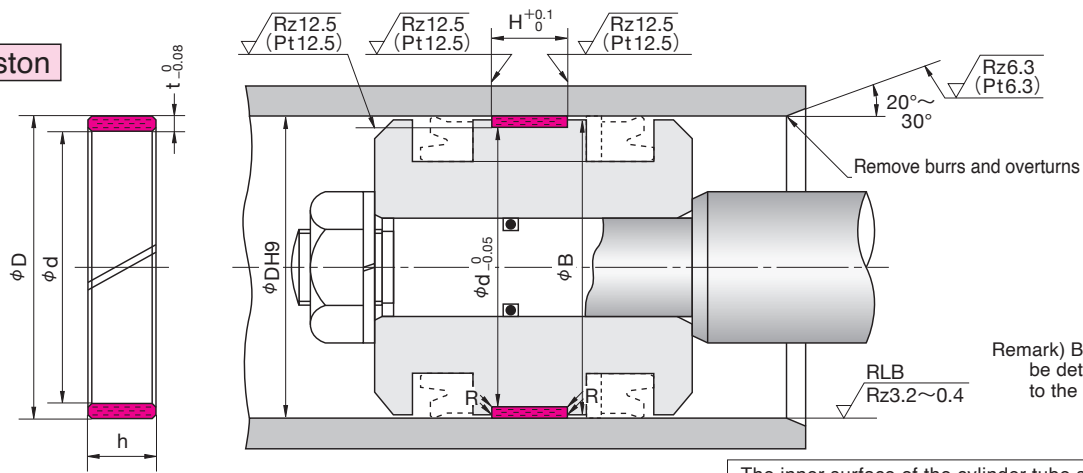
For rod



Nominal Number	Nominal Size of Wear Ring, and Housing dimensions					NOK Part Number
	d	D	h	t	H	
WR 18 - 21.1 LC	18	21.1	3.9	1.55	4	GW1375V0
22.4 - 25.5 LC	22.4	25.5	3.9	1.55	4	GW1376V0
22.4 - 27.4 LD	22.4	27.4	5.5	2.5	5.6	GW1279V0
28 - 31.1 LC	28	31.1	3.9	1.55	4	GW1377V0
28 - 33 LD	28	33	5.5	2.5	5.6	GW1280V0
35 - 40 LD	35	40	5.5	2.5	5.6	GW1281V0
35.5 - 40.5 LD	35.5	40.5	5.5	2.5	5.6	GW1355V0
35.5 - 40.5 LA	35.5	40.5	9.5	2.5	9.7	GW1282V0
45 - 50 LD	45	50	5.5	2.5	5.6	GW1283V0
45 - 50 LA	45	50	9.5	2.5	9.7	GW1284V0
56 - 61 LD	56	61	5.5	2.5	5.6	GW1356V0
56 - 61 LA	56	61	9.5	2.5	9.7	GW1285V0
58 - 63 LD	58	63	5.5	2.5	5.6	GW1345V0
58 - 63 LA	58	63	9.5	2.5	9.7	GW1286V0
63 - 68 LD	63	68	5.5	2.5	5.6	GW1357V0
63 - 68 LA	63	68	9.5	2.5	9.7	GW1287V0
67 - 72 LD	67	72	5.5	2.5	5.6	GW1358V0
67 - 72 LA	67	72	9.5	2.5	9.7	GW1288V0
71 - 76 LD	71	76	5.5	2.5	5.6	GW1359V0
71 - 76 LA	71	76	9.5	2.5	9.7	GW1289V0
75 - 80 LD	75	80	5.5	2.5	5.6	GW1335V0
75 - 80 LA	75	80	9.5	2.5	9.7	GW1290V0
80 - 85 LA	80	85	9.5	2.5	9.7	GW1360V0
80 - 85 LB	80	85	14.8	2.5	15.0	GW1291V0
85 - 90 LA	85	90	9.5	2.5	9.7	GW1320V0
85 - 90 LB	85	90	14.8	2.5	15.0	GW1292V0
90 - 95 LA	90	95	9.5	2.5	9.7	GW1361V0
90 - 95 LB	90	95	14.8	2.5	15.0	GW1293V0
95 - 100 LD	95	100	5.5	2.5	5.6	GW1346V0

E
DIMENSION
WR

For piston



Remark) B dimension should be determined according to the packing used.

R = 0.3 or below

The inner surface of the cylinder tube should be finished by burnishing (RLB) or honing (GH) to 0.4 to 3.2 μm Rz (0.1 to 0.8 μm Ra). Especially under severe lubricating condition, burnishing is required.

● The roughness is JIS B 0601 : 2001.
When regulation length cannot be kept, apply Pt.

Nominal Number	Nominal Size of Wear Ring, and Housing dimensions					NOK Part Number
	d	D	h	t	H	
WR 95 - 100 LA	95	100	9.5	2.5	9.7	GW1294V0
100 - 105 LA	100	105	9.5	2.5	9.7	GW1362V0
100 - 105 LB	100	105	14.8	2.5	15.0	GW1295V0
112 - 117 LA	112	117	9.5	2.5	9.7	GW1363V0
112 - 117 LB	112	117	14.8	2.5	15.0	GW1296V0
120 - 125 LA	120	125	9.5	2.5	9.7	GW1347V0
120 - 125 LB	120	125	14.8	2.5	15.0	GW1297V0
125 - 130 LA	125	130	9.5	2.5	9.7	GW1364V0
125 - 130 LB	125	130	14.8	2.5	15.0	GW1298V0
135 - 140 LA	135	140	9.5	2.5	9.7	GW1348V0
135 - 140 LB	135	140	14.8	2.5	15.0	GW1299V0
140 - 145 LB	140	145	14.8	2.5	15.0	GW1365V0
140 - 145 LE	140	145	24.5	2.5	25.0	GW1300V0
145 - 150 LA	145	150	9.5	2.5	9.7	GW1349V0
145 - 150 LB	145	150	14.8	2.5	15.0	GW1301V0
155 - 160 LA	155	160	9.5	2.5	9.7	GW1350V0
155 - 160 LB	155	160	14.8	2.5	15.0	GW1302V0
160 - 165 LB	160	165	14.8	2.5	15.0	GW1366V0
160 - 165 LE	160	165	24.5	2.5	25.0	GW1303V0
175 - 180 LB	175	180	14.8	2.5	15.0	GW1351V0
175 - 180 LE	175	180	24.5	2.5	25.0	GW1304V0
180 - 185 LB	180	185	14.8	2.5	15.0	GW1367V0
180 - 185 LE	180	185	24.5	2.5	25.0	GW1305V0
195 - 200 LB	195	200	14.8	2.5	15.0	GW1352V0
195 - 200 LE	195	200	24.5	2.5	25.0	GW1306V0
219 - 224 LB	219	224	14.8	2.5	15.0	GW1353V0
219 - 224 LE	219	224	24.5	2.5	25.0	GW1307V0
245 - 250 LB	245	250	14.8	2.5	15.0	GW1354V0
245 - 250 LE	245	250	24.5	2.5	25.0	GW1308V0