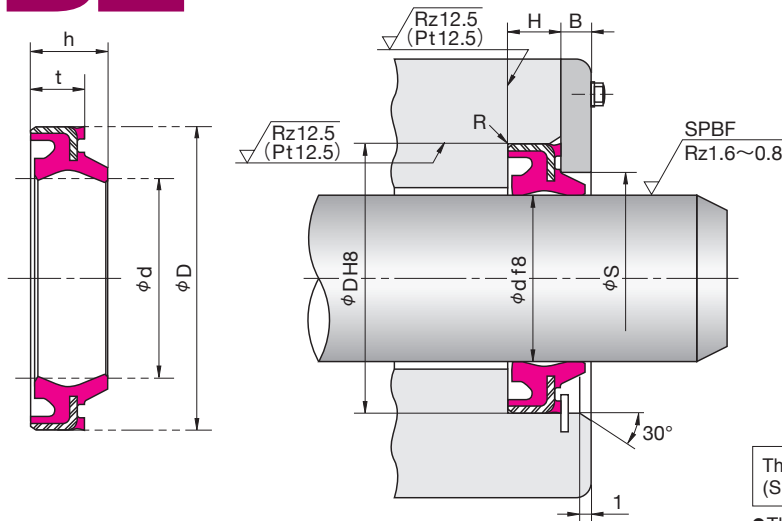


DKBZ TYPE DUST SEALS FOR RECIPROCAL MOVEMENT



Reference
Circlip system R = 0.3 or below

The surface of the rod should be finished by buffing (SPBF) to 0.8 to 1.6μmRz (0.2 to 0.4μmRa).

●The roughness is JIS B 0601 : 2001.
 When regulation length cannot be kept, apply Pt.

Nominal Number	Nominal Size of Packing, and Housing dimensions							NOK Part Number
	d	D	t	h	H	φS	B	
DKBZ 20	20	32				27	4	FD0995B0
25	25	37	6	9	$6 \begin{smallmatrix} +0.5 \\ +0.3 \end{smallmatrix}$	32		FD1301B0
30	30	42				37		FD1664B0
32	32	44				39		FD1870B0
35	35	47				42		FD2041B0
40	40	52				$7 \begin{smallmatrix} +0.5 \\ +0.3 \end{smallmatrix}$		10
45	45	57	52	FD2633B0				
50	50	62	57	FD2831B0				
55	55	69	62	FD3033B0				
60	60	74	67	FD3187B0				
65	65	79	8	11.5	$8 \begin{smallmatrix} +0.6 \\ +0.4 \end{smallmatrix}$	72		FD3381B0
70	70	84				77		FD3493B0
75	75	89				82		FD3596B0
80	80	94				87		FD3720B0
85	85	99				92		FD3828B0
90	90	104				97	FD3913B0	
95	95	109				102	FD3976B0	
100	100	114				107	FD4046B0	
105	105	121				113	FD6722B0	
110	110	126				9	13	$9 \begin{smallmatrix} +0.6 \\ +0.4 \end{smallmatrix}$
115	115	131	123	FD4272B0				
120	120	136	128	FD4326B0				
130	130	146	138	FD4438B0				
140	140	160	150	FD4533B0				

E DIMENSION DKBZ