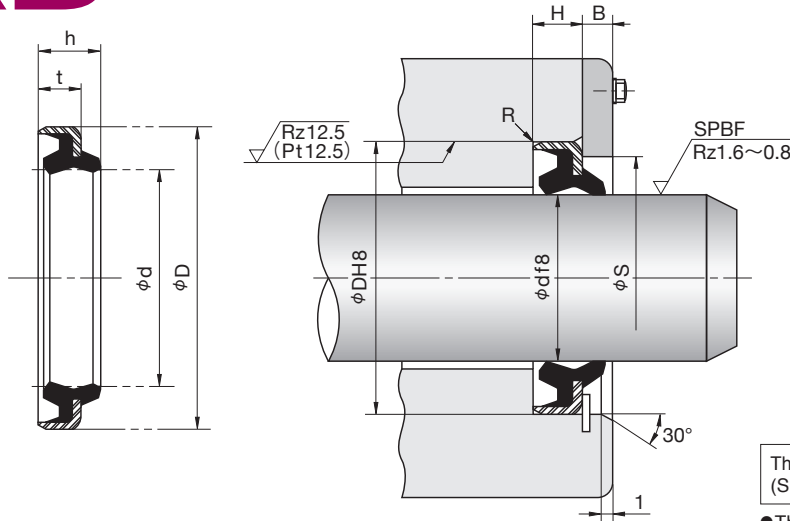


DKB TYPE DUST SEALS FOR RECIPROCAL MOVEMENT



Pressure plate system

Reference

Circlip system

R = 0.3 or below

The surface of the rod should be finished by buffing (SPBF) to 0.8 to 1.6μmRz (0.2 to 0.4μmRa).

●The roughness is JIS B 0601 : 2001.
When regulation length cannot be kept, apply Pt.

Nominal Size of Dust Seal, and Housing dimensions							NOK Part Number		
d	D	t	h	H	φS	B			
14	24	5	7	5 ± 0.3	19	4	AR0513F5		
16	26				21		AR0677E5		
18	30				25		AR0815F5		
20	32				27		AR0995E1		
22	34				29		AR1121F5		
22.4	34.4	6	9	6 ± 0.5 + 0.3	29		AR1203F5		
25	37				32		AR1301H5		
28	40				35		AR1536F5		
30	42				37		AR1664F5		
31.5	44				38.5		AR1803G5		
32	44	7	10	7 ± 0.5 + 0.3	39		AR1870F5		
35	47				42		AR2041E5		
35.5	47.5				42.5		AR2149F5		
36	48				43		BR1418E5		
40	52				47		AR2342E5		
45	57				52		AR2633G5		
50	62				57		AR2831F5		
55	69				62		AR3033F5		
56	70				63		AR3089G5		
60	74				67		AR3187G5		
63	77	70	AR3313F5						
65	79	8	11	8 ± 0.6 + 0.4	72	AR3381F5			
70	84				77	AR3493F5			
75	89				82	AR3596G5			
80	94				87	AR3720 I5			
85	99				92	AR3828F5			
90	104				97	AR3913E0			
95	109				102	AR3976G5			
100	114				107	AR4046G5			
105	121				113	AR4142F5			
110	126				118	AR4196F5			
112	128	9	12	9 ± 0.6 + 0.4	120	AR4232F5			
120	136				128	AR4326E5			
125	141				133	AR4393F5			
140	160				150	AR4533G5			
145	165				155	AR4578E5			
150	170	10	14	10 ± 0.6 + 0.4	160	AR4615E5			
155	175				165	AR4663E5			
160	180				170	AR4704G5			
170	190				180	AR4785E5			
175	195				185	AR4839F5			
180	205				191	AR4890G5			
200	225				12	17	12 ± 0.7 + 0.5	212	AR5048G5
225	250							237	AR5245F5
250	275							262	AR5396F5

E DIMENSION DKB