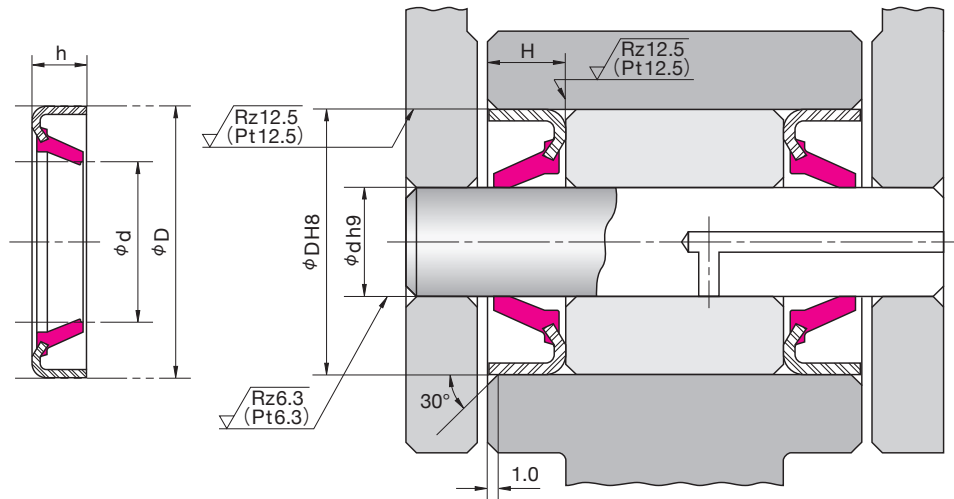


DLI2^{TYPE} DUST SEALS FOR OSCILLATING MOVEMENT



●The roughness is JIS B 0601 : 2001.
When regulation length cannot be kept, apply Pt.

Nominal Size of Dust Seal, and Housing dimensions				NOK Part Number
d	D	h	H	
35	45	4	4 ^{+0.5} / _{+0.3}	FD2032G0
40	50	5	5 ^{+0.5} / _{+0.3}	FD9991E1
50	60			FD9990E1
55	68	6	6 ^{+0.5} / _{+0.3}	FD9996E1
60	75	8	8 ^{+0.6} / _{+0.4}	FD3192E1
65	80			FD9994E1
70	85			FD9922E1
75	90			FD3598E1
85	100			FD9989E1
95	110			FD3978F1
110	125			FD9993E1
120	135			FD9938E1
125	140			FD9995E1
140	155			FD6714E1
145	160		FD6713E1	

E
DIMENSION
DLI2